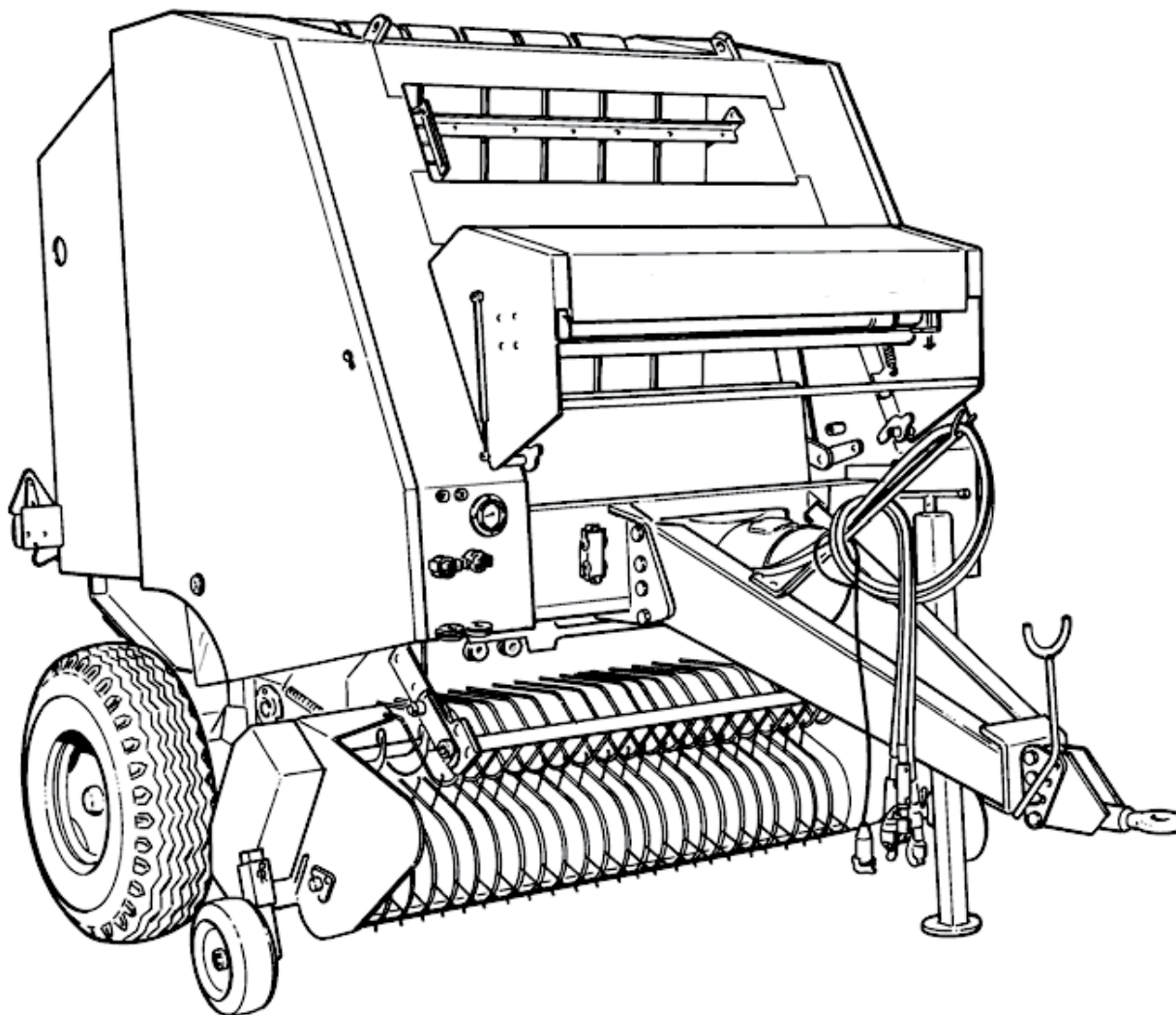


Z589 BALING PRESS PARTS CATALOGUE



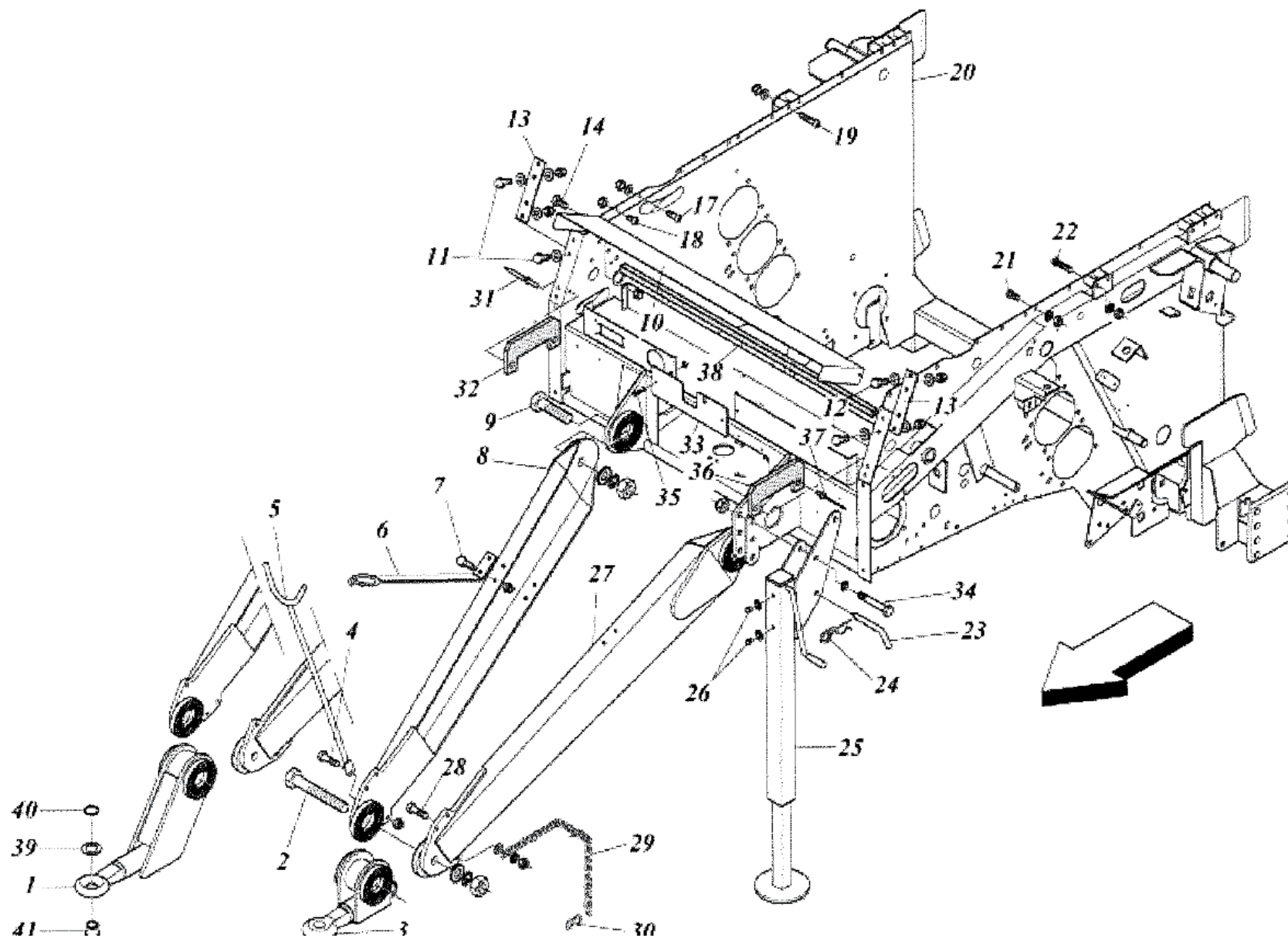
Edition no. 02/11
Sokółka, 2011

USING THE PARTS CATALOGUE

The Parts Catalogue includes drawing tables and descriptions of the baling press subassemblies with their assembly parts listing.

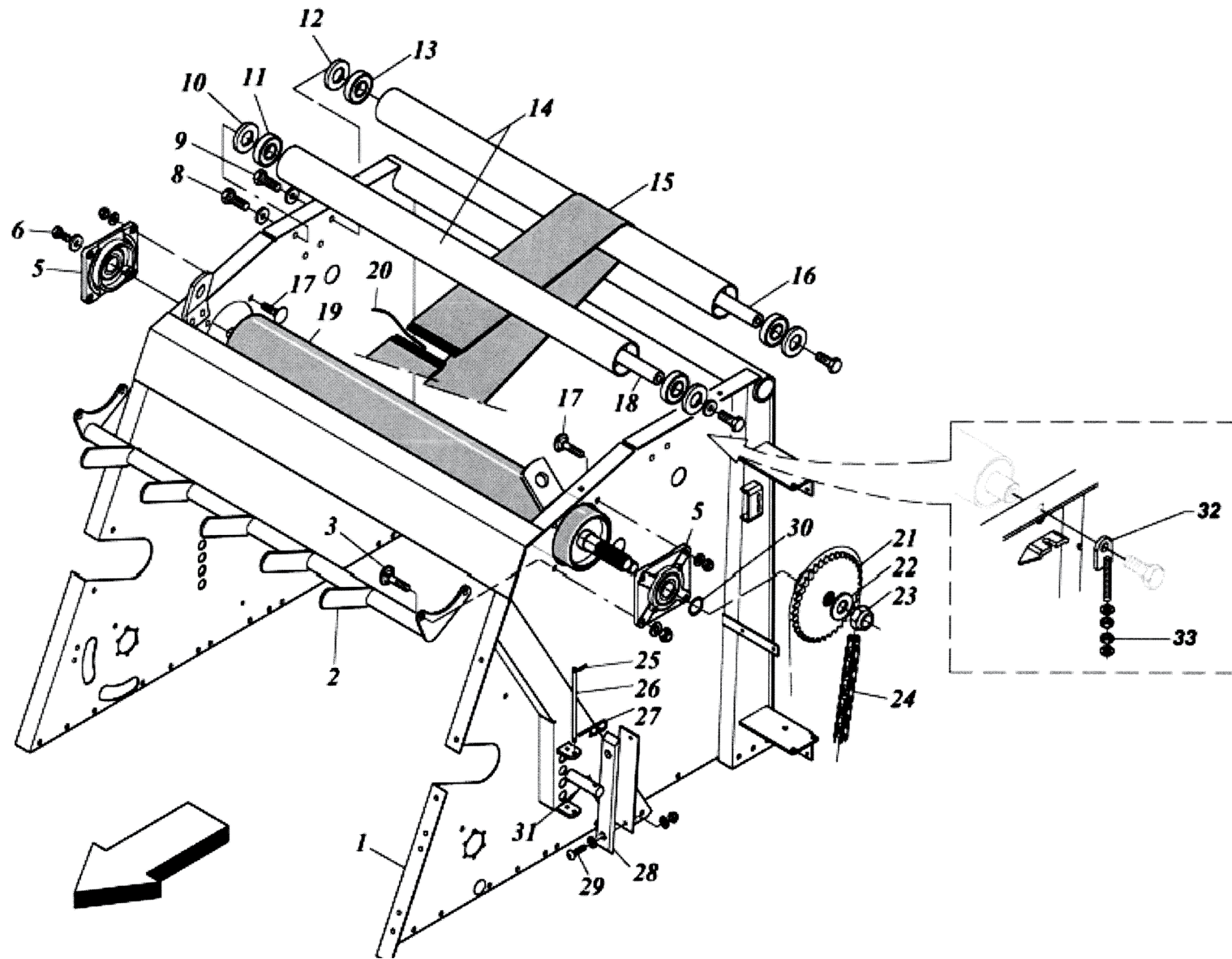
Use the Catalogue as follows:

- 1) Determine which assembly of the machine houses the part to be replaced.
- 2) Find the applicable Catalogue table and then find the part in the table.
- 3) Using the part number in the drawing as the reference, find the appropriate drawing/standard number and part name in the table description.

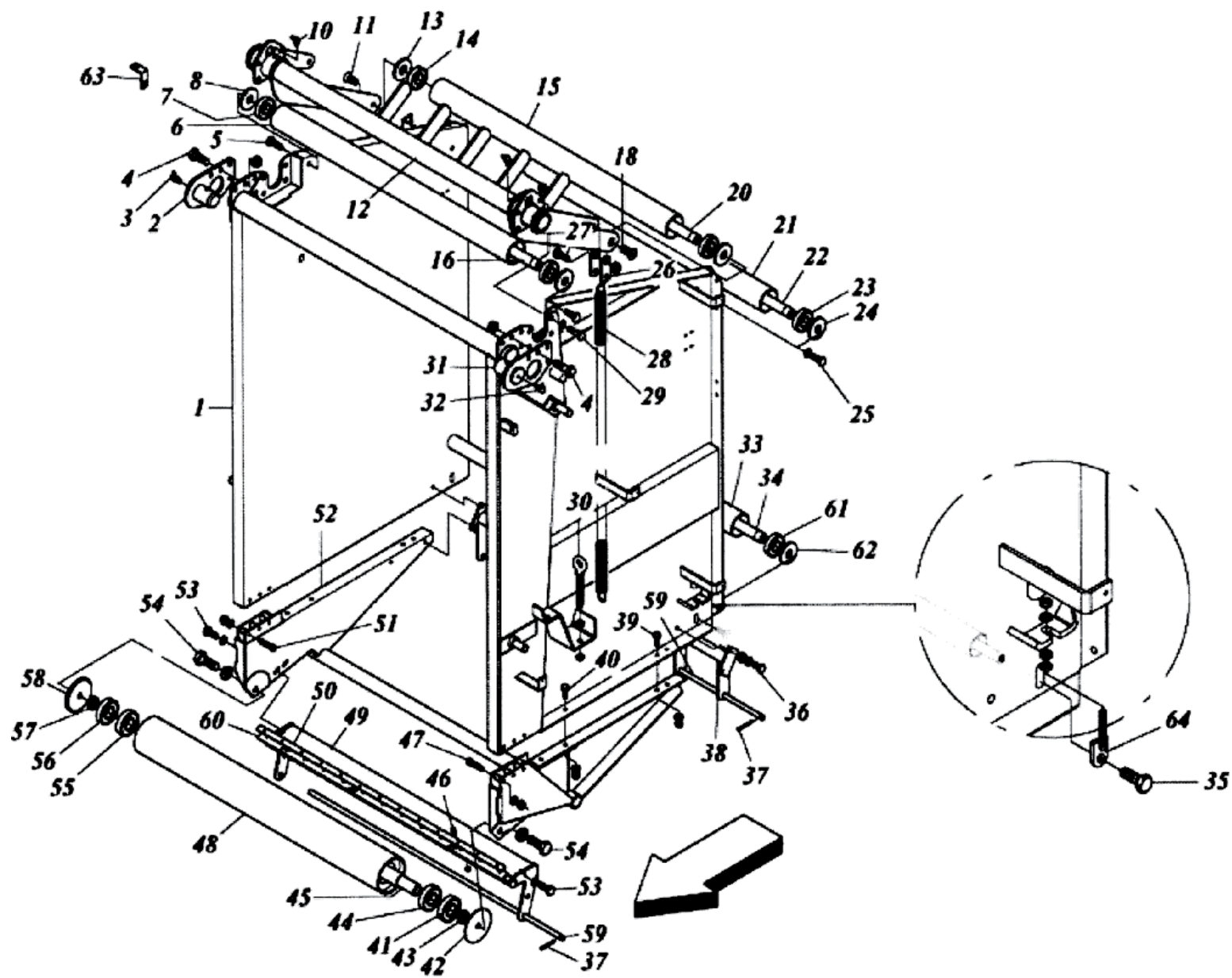


ITEM NO.	CODE	PART NAME	ITEM NO.	CODE	PART NAME
01	7S01030	HITCH RING	12	0181030	BOLT, M10x30 8.8 PN 82105
01	7S01091	HITCH RING, Ø50	12	0545790	SELF-RETAINING NUT, M10-5S PN 82175
02	0172499	BOLT, M24x220 10.9 PN 82101	12	1421025	WASHER, 10
02	0740724	NUT, M24-8 PN 82144	13	C000036	COVER PLATE
02	14R2440	WASHER, 24 PN 82039	14	0180815	BOLT, M8x15 8.8 PN 82105
02	1622450	SPRING WASHER, 24 DIN 127	14	0920208	SELF-RETAINING NUT, M8-5S PN 82175
03	7S00975	HITCH RING, NL	17	0471225	Bolt, M12x25 8.8
03	7S01253	HITCH RING, Ø50	17	0920412	SELF-RETAINING NUT, M12-5S PN 82175
04	0545790	SELF-RETAINING NUT, M10-5S PN 82175	17	1421230	WASHER, 12
04	0181035	BOLT, M10x35 8.8 PN 82105	18	0471220	Bolt, M12x20 8.8
05	7S00861	PTO SUPPORT	18	0920412	SELF-RETAINING NUT, M12-5S PN 82175
06	7H34241	HYDRAULIC LINE BRACKET	19	1421230	WASHER, 12
07	0181030	BOLT, M10x30 8.8 PN 82105	19	0920412	SELF-RETAINING NUT, M12-5S PN 82175
07	0545790	SELF-RETAINING NUT, M10-5S PN 82175	19	0471270	NECK BOLT, M12x70 8.8
08	7S00976	HITCH BEAM, RIGHT-HAND	20	7S00963	CHASSIS FRAME, RIGHT-HAND
09	1622450	SPRING WASHER, 24 DIN 127	21	0471225	NECK BOLT, M12x25 8.8
09	14R2440	WASHER, 24 PN 82039	21	0920412	SELF-RETAINING NUT, M12-5S PN 82175
09	0740724	BOLT, M24-8G CAT. A PN 82144	21	1421230	WASHER, 12
09	0172490	BOLT, M24x90 10.9 M-PN 82101	22	1421230	WASHER, 12
10	C003216	COVER	22	0920412	SELF-RETAINING NUT, M12-5S PN 82175
11	0181030	BOLT, M10x30 8.8 PN 82105	22	0471270	NECK BOLT, M12x70 8.8
11	0545790	SELF-RETAINING NUT, M10-5S PN 82175	23	1300665	PIN
11	1421025	WASHER, 10	24	11B0499	SPRING COTTER PIN, 4

ITEM NO.	CODE	PART NAME	ITEM NO.	CODE	PART NAME
25	1800058	SUPPORT FOOT	40	1700050	SEGER RING, Z50 PN 85111
26	1420820	WASHER, 8	41	1300957	REDUCER SLEEVE
26	4200810	GREASE NIPPLE, M8x1			
27	7S00977	HITCH BEAM, LEFT-HAND			
28	0190835	BOLT, M8x35 8.8 PN 82101			
28	0920208	SELF-RETAINING NUT, M8-5S PN 82175			
28	1420820	WASHER, 8			
29	3320404	SAFETY CHAIN, N.20 (L=540)			
30	1800052	CHAIN HOOK, D=6.5			
31	1082407	RIVET, 2.4x7			
32	7V00078	RUBBER INSERT			
33	C003604	RUBBER FACE INSERT			
34	0191691	BOLT, M16x100 8.8 UN 5737			
34	0920516	SELF-RETAINING NUT, M16-5S PN 82175			
34	1421630	WASHER, 16			
35	1430820	RIVET, 8x24			
35	1420820	WASHER, 8			
35	0920208	SELF-RETAINING NUT, M8-5S PN 82175			
35	0180815	BOLT, M8x15 8.8 PN 82105			
36	7V00079	RUBBER INSERT			
37	1082407	RIVET, 2.4x7			
38	7V00004	CLOSURE GASKET			
39	1300959	FLANGE, 50x80x4			

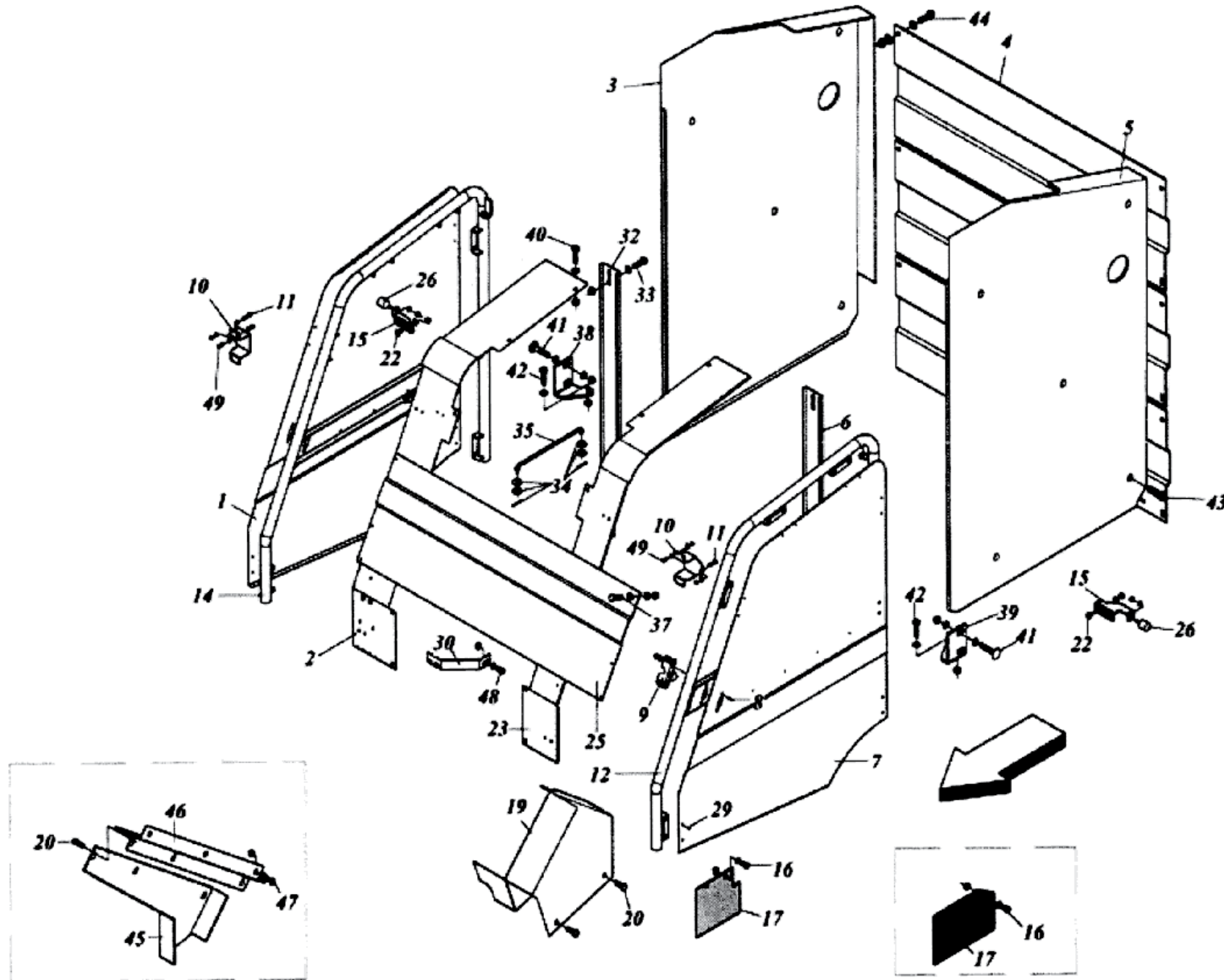


ITEM NO.	CODE	PART NAME	ITEM NO.	CODE	PART NAME
01	7S01068	TOP FRAME, LEFT-HAND	20	7600074	CABLE LINK
02	7S00941	BELT GUIDE	21	3400229	CHAIN WHEEL, Z=26-1"
03	0523395	NECK BOLT, M12x45 8.8 DIN 603	22	14R3050	WASHER, 30 PN 82039
03	0920412	SELF-RETAINING NUT, M12-5S PN 82175	23	0921530	SELF-RETAINING NUT, M30x2-5S PN 82175
03	1421230	WASHER, 12	24	30E1149	ROLLER CHAIN, 16 B-L 149M
05	2700051	BEARING ASSEMBLY	24	30E0017	CONNECTOR, N.26 ISO 16 B-L P/N
06	0181635	BOLT, M16x35 8.8 PN 82105	25	1110325	RAWLPLUG, 3x25 DIN 1481
06	1515091	WASHER, 17x52x6	26	1300646	PIN
08	0181635	BOLT, M16x35 8.8 PN 82105	27	1172574	SPRING COTTER PIN, 2.5
08	1519319	WASHER, 16x38x5	28	7631842	CHAIN GUIDE
09	0181640	BOLT, M16x40 8.8 PN 82105	29	0470820	BOLT, M8x20 10.9
10	1300623	SEAL	29	0920208	SELF-RETAINING NUT, M8-5S PN 82175
11	2040002	BEARING, 6307-2RS	29	1420820	WASHER, 8
12	1300623	SEAL	30	1300151	WASHER, 40x48x2
13	2040002	BEARING, 6307-2RS	30	1300126	WASHER, 40x48x1
14	3500172	SHAFT	30	1300125	WASHER, 40x48x0.5
15	7600072	BELT	31	1300647	ADJUSTMENT PIN
16	3500214	AXLE	32	7S01608	ADJUSTMENT BRACKET
17	0523421	SPECIAL BOLT, M12x35 8.8	33	0710412	NUT, M12-6S PN 82144
17	0920412	SELF-RETAINING NUT, M12-5S PN 82175	33	1421230	WASHER, 12
17	1421230	WASHER, 12			
18	3500214	AXLE			
19	3500234	DRIVE SHAFT			



ITEM NO.	CODE	PART NAME	ITEM NO.	CODE	PART NAME
01	7S01071	REAR WALL, RIGHT-HAND	25	0181635	BOLT, M16x35 8.8 PN 82105
02	7S00932	HINGE, RIGHT-HAND	25	1519319	WASHER, 16x38x5
03	4221010	GREASE NIPPLE, M10x1, 90°	26	C001868	SPRING CATCH
04	0920516	SELF-RETAINING NUT, M16-5S PN 82175	27	0191650	BOLT, M16x50 8.8 PN 82101
04	0181645	BOLT, M16x45 8.8 PN 82105	27	0920516	SELF-RETAINING NUT, M16-5S PN 82175
04	0181640	BOLT, M16x40 8.8 PN 82105	28	1800037	SPRING
05	0181635	BOLT, M16x35 8.8 PN 82105	29	1421630	WASHER, 16
06	3500172	SHAFT	29	0920516	SELF-RETAINING NUT, M16-5S PN 82175
07	2040002	BEARING, 6307-2RS	29	0191655	BOLT, M16x55 8.8 PN 82101
08	1300623	SEAL	30	0528364	EYE BOLT, M16
10	4210610	GREASE NIPPLE, A 45° M6x1	30	0710516	NUT, M16-6S PN 82144
11	0441635	SCREW, M16x35 10.9 DIN 7991	30	0920516	SELF-RETAINING NUT, M16-5S PN 82175
12	7S00927	TENSIONING ARM	31	7S00931	HINGE, LEFT-HAND
13	1300623	SEAL	32	4221010	GREASE NIPPLE, M10x1, 90°
14	2040002	BEARING, 6307-2RS	33	3500172	SHAFT
15	3500165	SHAFT	34	3500214	AXLE
16	3500214	SHAFT AXIS	35	0181640	BOLT, M16x40 8.8 PN 82105
18	0441635	BOLT, M16x35 10.9 DIN 7991	36	0181640	BOLT, M16x40 8.8 PN 82105
20	3500213	SHORT AXLE	36	0920412	SELF-RETAINING NUT, M12-5S PN 82175
21	3500172	SHAFT	36	0181255	BOLT, M12x55 8.8 PN 82105
22	3500214	AXLE	37	1150430	COTTER PIN, 4x30 UNI 1336
23	2040002	BEARING, 6307-2RS	38	7S00969	BELT GUIDE, REAR
24	1300623	SEAL	39	1421230	WASHER, 12

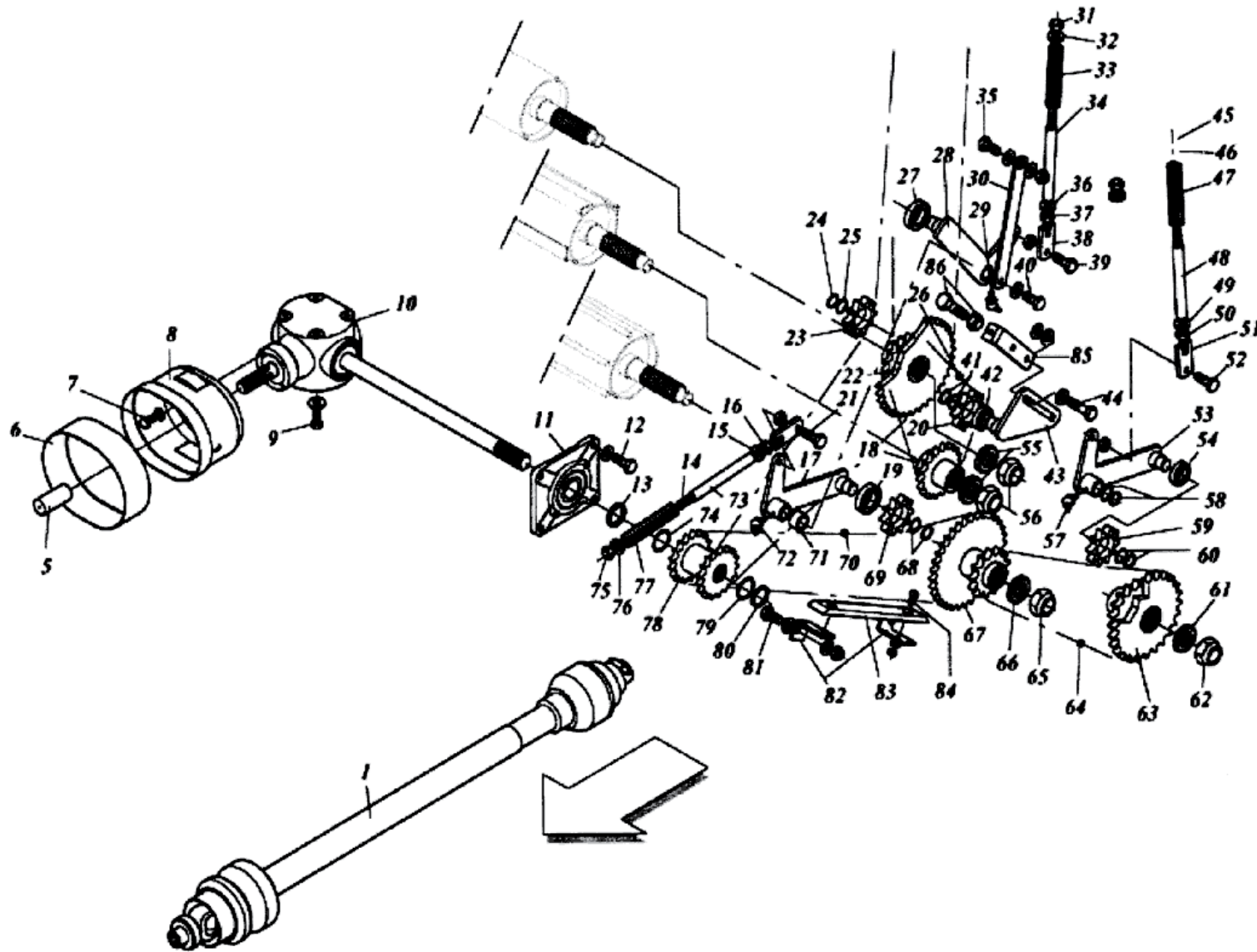
ITEM NO.	CODE	PART NAME	ITEM NO.	CODE	PART NAME
39	0920412	SELF-RETAINING NUT, M12-5S DIN 985	53	0181225	BOLT, M12x25 8.8 PN 82105
39	0181230	BOLT, M12x30 8.8 PN 82105	54	0182050	BOLT, M20x50 8.8 PN 82105
40	0181230	BOLT, M12x30 8.8 PN 82105	54	C004148	WASHER
40	0920412	SELF-RETAINING NUT, M12-5S PN 82175	55	2040002	BEARING, 6307-2RS
40	1421230	WASHER, 12	56	2040002	BEARING, 6307-2RS
41	2040002	BEARING, 6307-2RS	57	1300523	BUSH, 35x45x12.5
42	1300590	RING, 20.5 128 10	58	1300590	WASHER, 20.5x128x10
43	1300523	BUSH, 35x45x12.5	59	1300628	GUIDE LOCATING PIN
44	2040002	BEARING, 6307-2RS	60	7U00023	SCRAPER BLADE
45	3500237	SHORT AXLE	61	2040002	BEARING, 6307-2RS
46	0470620	BOLT, M6x20 8.8	62	1300623	SEAL
46	0920106	SELF-RETAINING NUT, M6-5S PN 82175	63	C002357	CABLE BRACKET
47	1421230	WASHER, 12	64	0710412	NUT, M12-6S PN 82144
47	0920412	SELF-RETAINING NUT, M12-5S PN 82175	64	1421230	WASHER, 12
47	0471270	BOLT, M12x70 8.8 PN 82175	64	7S01608	ADJUSTMENT BRACKET
48	7S00959	SHAFT			
49	7S01023	SCRAPER			
50	C003205	BLADE BRACE			
51	0471270	BOLT, M12x70 8.8 PN 82175			
51	0920412	SELF-RETAINING NUT, M12-5S PN 82175			
51	1421230	WASHER, 12			
52	7S01844	INSERT, RIGHT-HAND			
53	1531844	WASHER, 13-25-6			



ITEM NO.	CODE	PART NAME	ITEM NO.	CODE	PART NAME
01	C3P0150	FRONT GUARD, RIGHT-HAND	20*	0370001	BOLT, M8x16
02	C3P0152	FACE GUARD, RIGHT-HAND	22	0920208	SELF-RETAINING NUT, M8-5S PN 82175
03	C003322	REAR GUARD, RIGHT-HAND	22	1420820	WASHER, 8
04	C003101	REAR GUARD	23	C3P0151	FACE GUARD, LEFT-HAND
05	C003323	REAR GUARD, LEFT-HAND	25	C002454	FRONT GUARD
06	C003352	MIDDLE GUARD, LEFT-HAND	26	1800082	FENDER, 30x30-M8x25
07	C3P0149	FRONT GUARD, LEFT-HAND	29	1000011	RIVET, 6x15
08	1420820	WASHER, 8	30	C002391	REINFORCING ASSEMBLY
08	0920208	SELF-RETAINING NUT, M8-5S PN 82175	32	C003351	MIDDLE GUARD, RIGHT-HAND
08	0470820	BOLT, M8x20 8.8	33	0920208	SELF-RETAINING NUT, M8-5S PN 82175
09	1800041	LOCK	33	1420820	WASHER, 8
10	C4P0255	BRACKET	33	0180820	BOLT, M8x20 8.8 PN 82105
11	0710310	NUT, M10-6S PN 82144	34	1431020	WASHER, 10x30
11	0191055	BOLT, M10x55 8.8 PN 82101	34	1110430	COTTER PIN, 4x30 DIN 1481
11	0545790	SELF-RETAINING NUT, M10-5S PN 82175	35	7SP0278	STOP
12	7SP0365	FRAME, LEFT-HAND	37	1431020	WASHER, 10x30
14	7SP0366	FRAME, RIGHT-HAND	37	1421025	WASHER, 10
15	C6P0433	FENDER BRACKET	37	0181035	BOLT, M10x35 8.8 PN 82105
16	0920208	SELF-RETAINING NUT, M8-5S PN 82175	37	0545790	SELF-RETAINING NUT, M10-5S PN 82175
16	0180820	BOLT, M8x20 8.8 PN 82105	38	C6P0435	HINGE, LEFT-HAND
16	1430820	WASHER, 8x24	39	C6P0434	HINGE, RIGHT-HAND
17	7V00072	RUBBER SAFETY PAD	40	0181020	BOLT, M8x20 8.8 PN 82105
19	C000071	COVER	40	0545790	SELF-RETAINING NUT, M10-5S PN 82175

ITEM NO.	CODE	PART NAME	
41	0545790	SELF-RETAINING NUT, M10-5S PN 82175	
41	1421025	WASHER, 10	
42	1421025	WASHER, 10	
42	0545790	SELF-RETAINING NUT, M10-5S PN 82175	
42	0181030	BOLT, M10x30-8.8 PN 82105	
43	0370001	BOLT, M8x16	
44	0181020	BOLT, M10x20-8.8 PN 82105	
44	0545790	SELF-RETAINING NUT, M10-5S PN 82175	
44	1421025	WASHER, 10	
44	1431020	WASHER, 10x30	
45*	7S01212	ROTOR DRIVE GUARD	
46*	C002663	ROTOR DRIVE GUARD	
47*	0920412	SELF-RETAINING NUT, M12-5S PN 82175	
47	0181225	BOLT, M12x25 8.8 PN 82105	
48	0181235	BOLT, M12x35 8.8 PN 82105	
48	0920412	SELF-RETAINING NUT, M12-5S PN 82175	
48	1421230	WASHER, 12	
49	0321025	BOLT, M10x25-4.6 DIN 603	
49	0545790	SELF-RETAINING NUT, M10-5S PN 82175	
49	1431020	WASHER, 10x30	

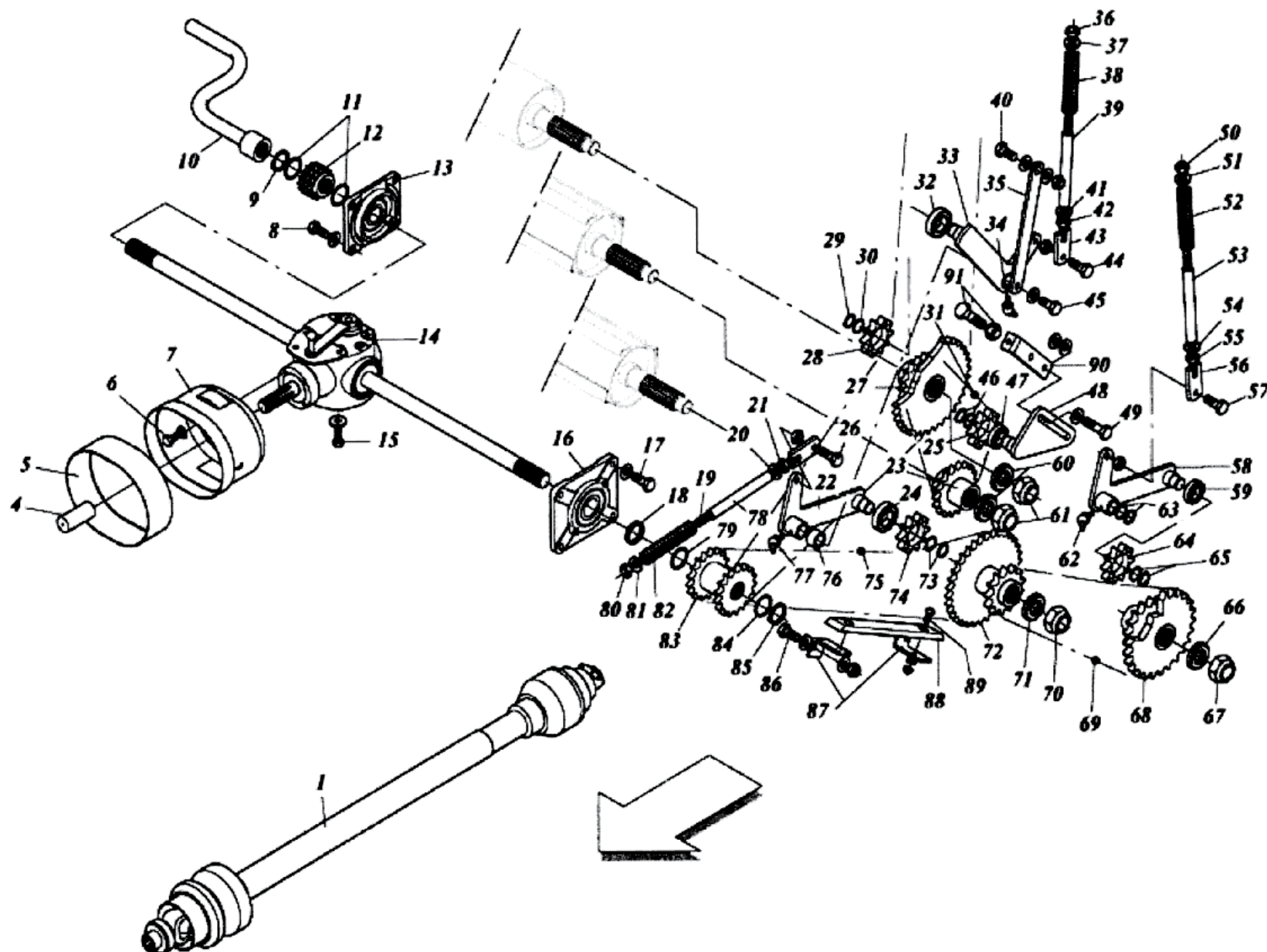
(*) Z589-2... ONLY



ITEM NO.	CODE	PART NAME	ITEM NO.	CODE	PART NAME
01	3600092	Telescopic jointed shaft	23	3400274	CHAIN WHEEL, Z=10-1"
05	4417079	COVER, 1.3/8"	24	1700025	SEGER RING, Z25 PN 85111
06	7V00044	COVER	25	1300102	CAP, 25.5x37x0.1
07	0181025	BOLT, M10x25 8.8 PN 82105	25	1300104	WASHER, 25.5x37x0.2
07	1421025	WASHER, 10	25	1300105	WASHER, 25.5x37x0.5
08	7V00059	PTO GUARD	26	30E1027	CHAIN, 16 B-L 27 LINKS
09	0181235	BOLT, M12x35 8.8 PN 82105	26	30E0017	CONNECTOR, N.26 ISO 16 B-L P/N
09	1516038	WASHER, 13x32x5	27	2042515	BEARING, 6205-2RS
10	3900177	TRANSMISSION GEARBOX	28	7S00953	TENSIONER ARM, LEFT-HAND
11	2700051	BEARING ASSEMBLY	29	4210610	GREASE NIPPLE, A 45° M6x1
12	0181235	BOLT, M12x35 8.8 PN 82105	30	C003057	ARM
12	1421230	WASHER, 12	31	0710514	NUT, M14-6S PN 82144
13	1329469	BUSH, 40x48x7	32	1519319	WASHER, 16x38x5
14	7S00957	TENSIONING BOLT	33	1800046	SPRING, 6 30 180C
15	1519319	WASHER, 16x38x5	34	1300157	BUSH, 16.6x21.3x165
16	0710514	NUT, M14-6S PN 82144	35	0181230	BOLT, M12x30 8.8 PN 82105
17	7S00953	TENSIONER ARM, LEFT-HAND	36	1519319	WASHER, 16x38x5
18	3400235	CHAIN WHEEL, ZL1-L"	37	0710412	NUT, M12-6S PN 82144
19	2042515	BEARING, 6205-2RS	38	7S00957	TENSIONING BOLT
20	3400274	CHAIN WHEEL, Z=10-1"	39	0700412	NUT, M12-6S PN 82153
21	0700412	NUT, M12-6S PN 82153	39	0181230	BOLT, M12x30 8.8 PN 82105
21	0181230	BOLT, M12x30 8.8 PN 82105	40	0181225	BOLT, M12x25 8.8 PN 82105
22	3400225	CHAIN WHEEL, Z=24-10/1"	40	1300105	WASHER, 25.5x37x0.5

ITEM NO.	CODE	PART NAME	ITEM NO.	CODE	PART NAME
40	1300159	WASHER, 25x37x2	56	0921530	SELF-RETAINING NUT, M30x2-5S PN 82175
40	1421230	WASHER, 12	57	4210610	GREASE NIPPLE, A 45° M6x1
41	1700025	SEGER RING, Z25 PN 85111	58	1700025	SEGER RING, Z25 PN 85111
41	1300105	WASHER, 25.5x37x0.5	58	1300105	WASHER, 25.5x37x0.5
41	1300104	WASHER, 25.5x37x0.2	58	1300104	WASHER, 25.5x37x0.2
41	1300102	CAP, 25.5x37x0.1	58	1300102	CAP, 25.5x37x0.1
42	2042515	BEARING, 6205-2RS	59	3400274	CHAIN WHEEL, Z=10-1"
43	7S00958	FIXED HOLDER	60	1300102	CAP, 25.5x37x0.1
44	0191250	BOLT, M12x50 8.8 PN 82101	60	1300104	WASHER, 25.5x37x0.2
44	1431225	WASHER, 12x36	60	1300105	WASHER, 25.5x37x0.5
44	1516038	WASHER, 13x32x5	60	1700025	SEGER RING, Z25 PN 85111
45	0710514	NUT, M14-6S PN 82144	61	14R3050	WASHER, 30 PN 82039
46	1519319	WASHER, 16x38x5	62	0921530	SELF-RETAINING NUT, M30x2-5S PN 82175
47	1800046	SPRING, 6 30 180C	63	3400285	CHAIN WHEEL, Z=17-24/1"
48	1300157	BUSH, 16.6x21.3x165	64	30E0017	CONNECTOR, 26 ISO 16 B-L P/N
49	1519319	WASHER, 16x38x5	64	30E1056	CHAIN, 16 B-L 56 LINKS
50	0710514	NUT, M14-6S PN 82144	65	0921530	SELF-RETAINING NUT, M30x2-5S PN 82175
51	7S00957	TENSIONING BOLT	66	14R3050	WASHER, 30 PN 82039
52	0181230	BOLT, M12x30 8.8 PN 82105	67	3400230	CHAIN WHEEL, Z=24-12/1"
52	0700412	NUT, M12-6S PN 82153	68	1700025	SEGER RING, Z25-E PN 85111
53	7S00953	TENSIONER ARM, LEFT-HAND	68	1300105	WASHER, 25.5x37x0.5
54	2042515	BEARING, 6205-2RS	68	1300104	WASHER, 25.5x37x0.2
55	14R3050	WASHER, 30 PN 82039	68	1300102	CAP, 25.5x37x0.1

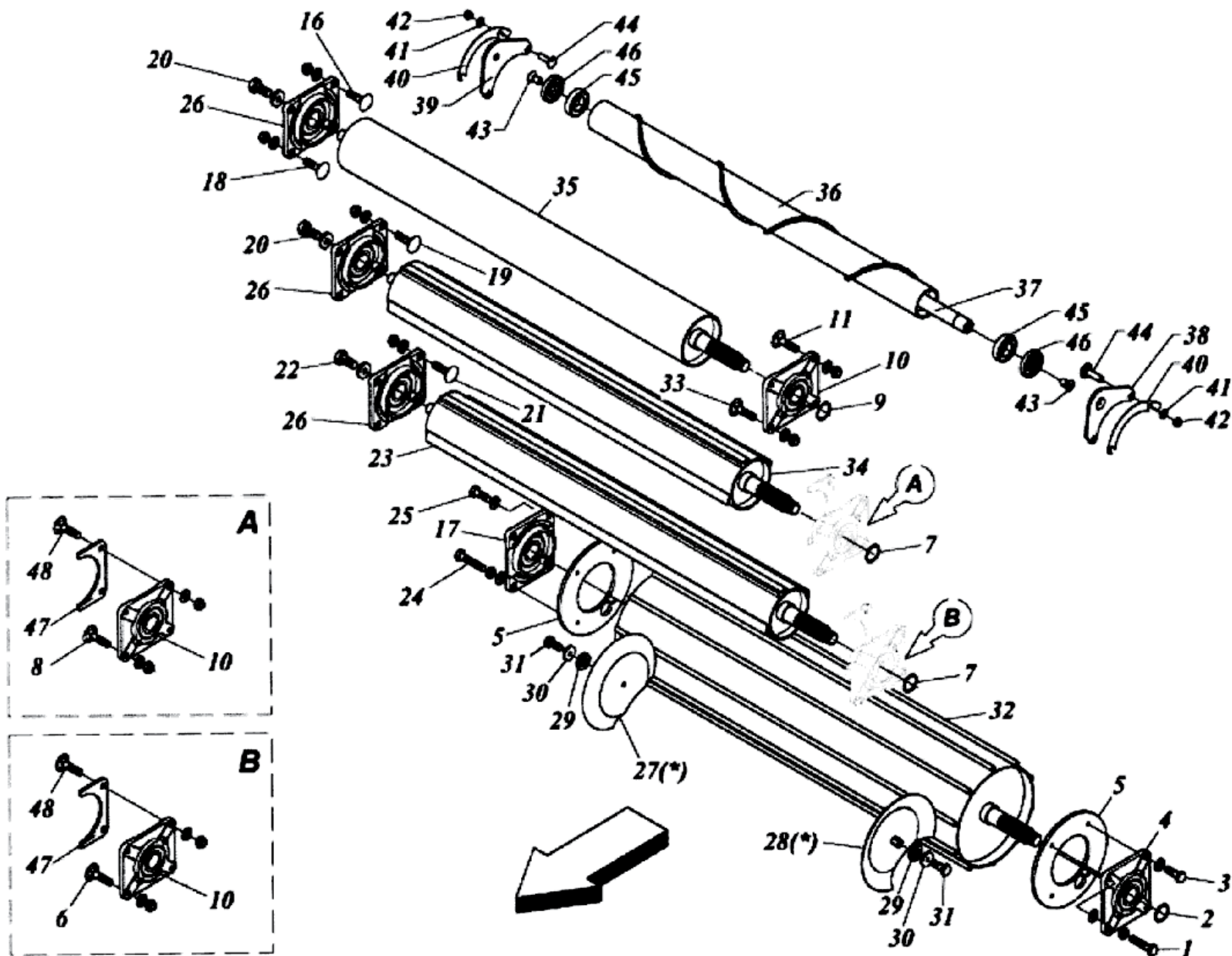
ITEM NO.	CODE	PART NAME	ITEM NO.	CODE	PART NAME
69	3400274	CHAIN WHEEL, Z=10-1"	85	C003605	ARM
70	30E0017	CONNECTOR, 26 ISO 16 B-L P/N	86	0181250	BOLT, M12x50 8.8 PN 82105
70	30E1079	CHAIN, 16 B-L 79M	86	0710412	NUT, M12-6S PN 82144
71	1334680	BUSH, 25x33x22			
72	4210610	GREASE NIPPLE, A 45° M6x1			
73	1300157	BUSH, 16.6x21.3x165			
74	1300125	WASHER, 40x48x0.5			
75	0710514	NUT, M14-6S PN 82144			
76	1519319	WASHER, 16x38x5			
77	1800046	SPRING, 6 30 180C			
78	3400224	CHAIN WHEEL, Z=12/12-1"			
79	1300151	WASHER, 40x48x2			
79	1300126	WASHER, 40x48x1			
79	1300125	WASHER, 40x48x0.5			
80	1700040	SEGER RING, Z40 PN 85111			
81	0181025	BOLT, M10x25 8.8 PN 82105			
81	0545790	SELF-RETAINING NUT, M10-5S PN 82175			
81	1421025	WASHER, 10			
82	C000037	BRACKET			
83	7631842	CHAIN GUIDE			
84	1420820	WASHER, 8			
84	0920208	SELF-RETAINING NUT, M8-5S PN 82175			
84	0470820	BOLT, M8x20 10.9			



ITEM NO.	CODE	PART NAME	ITEM NO.	CODE	PART NAME
01	3600092	TELESCOPIC JOINTED SHAFT, 2500 NM	20	1519319	WASHER, 16x38x5
04	4417079	CAP, 1.3/8"	21	0710514	NUT, M14-6S UNI 5588
05	7V00044	Transfer guard	22	7S00953	TENSIONER ARM, LEFT-HAND
06	0181025	BOLT, M10x25 8.8 UNI 5739	23	3400235	CHAIN WHEEL, Z=11-1"
07	7V00059	PTO GUARD	24	2042515	BEARING, 6205-2RS
08	1421230	WASHER, 12	25	3400274	CHAIN WHEEL, Z=10-1"
08	0181235	BOLT, M12x35 8.8 UNI 5739	26	0181230	BOLT, M12x30 8.8 UNI 5739
09	1700040	SEGER RING, Z40 UNI 3653	26	0700412	NUT, M12-6S UNI 5589
10	7S00869	CRANK LEVER	27	3400225	CHAIN WHEEL, Z=24-10-1"
11	1300150	WASHER, 40x48x1.5	28	3400274	CHAIN WHEEL, Z=10-1"
11	1300151	WASHER, 40x48x2	29	1700025	SEGER RING, 25-E UNI 3653
11	1300355	BUSH, 40x54x20	30	1300102	WASHER, 25.5 37 0.1
12	3400072	CHAIN WHEEL, Z=13-3/4"x7/16"	30	1300104	WASHER, 25.5 37 0.2
12	3400199	CHAIN WHEEL, Z=15/15/15-5/8"x3/8"	30	1300105	WASHER, 25.5 37 0.5
13	2700051	BEARING ASSEMBLY	31	30E0017	CONNECTOR, 16 B-L P/N
14	3900179	TRANSMISSION GEARBOX	31	30E1027	CHAIN, 16 B-L 27 LINKS
15	0181430	BOLT, M14x30 8.8 UNI 5739	32	2042515	BEARING, 6205-2RS
15	1516040	WASHER, 15x42x6	33	7S00953	TENSIONER ARM, LEFT-HAND
16	2700051	BEARING ASSEMBLY	34	4210610	GREASE NIPPLE, A 45° M6x1
17	0181230	BOLT, M12x30 8.8 UNI 5739	35	C003057	ARM
17	1421230	WASHER, 12	36	0710514	NUT, M14-6S UNI 5588
18	1329469	BUSH, 40x48x7	37	1519319	WASHER, 16x38x5
19	7S00957	TENSIONING BOLT	38	1800046	SPRING, 6 30 180C

ITEM NO.	CODE	PART NAME	ITEM NO.	CODE	PART NAME
39	1300157	BUSH, 16.6x21.3x165	51	1519319	WASHER, 16x38x5
40	1421230	WASHER, 12	52	1800046	SPRING, 6 30 180C
40	0920412	SELF-RETAINING NUT, M12-5S DIN 985	53	1300157	BUSH, 16.6x21.3x165
40	0181230	BOLT, M12x30 8.8 UNI 5739	54	1519319	WASHER, 16x38x5
41	1519319	WASHER, 16x38x5	55	0710514	NUT, M14-6S UNI 5588
42	0710412	NUT, M12-6S UNI 5588	56	7S00957	TENSIONING BOLT
43	7S00957	TENSIONING BOLT	57	0181230	BOLT, M12x30 8.8 UNI 5739
44	0181230	BOLT, M12x30 8.8 UNI 5739	57	0700412	NUT, M12-6S UNI 5589
44	0700412	NUT, M12-6S UNI 5589	58	7S00953	TENSIONER ARM, LEFT-HAND
45	1421230	WASHER, 12	59	2042515	BEARING, 6205-2RS
45	1300159	WASHER, 25x37x2	60	14R3050	WASHER, 30 UNI 5714
45	1300105	WASHER, 25.5x37x0.5	61	0921530	SELF-RETAINING NUT, M30x2-5S DIN 985
45	0181225	BOLT, M12x25 8.8 UNI 5739	62	4210610	GREASE NIPPLE, A 45° M6x1
46	1300102	CAP, 25.5x37x0.1	63	1300102	CAP, 25.5x37x0.1
46	1300104	WASHER, 25.5x37x0.2	63	1300104	WASHER, 25.5x37x0.2
46	1300105	WASHER, 25.5x37x0.5	63	1300105	WASHER, 25.5x37x0.5
46	1700025	SEGER RING, Z25 UNI 3653	63	1700025	SEGER RING, Z25-E UNI 3653
47	2042515	BEARING, 6205-2RS	64	3400274	CHAIN WHEEL, Z=10-1"
48	7S00958	FIXED HOLDER	65	1700025	SEGER RING, Z25-E UNI 3653
49	0191250	BOLT, M12x50 8.8 UNI 5737	65	1300105	WASHER, 25.5x37x0.5
49	1431225	WASHER, 12x36	65	1300104	WASHER, 25.5x37x0.2
49	1516038	WASHER, 13x32x5	65	1300102	CAP, 25.5x37x0.1
50	0710514	NUT, M14-6S UNI 5588	66	14R3050	WASHER, 30 UNI 5714-69

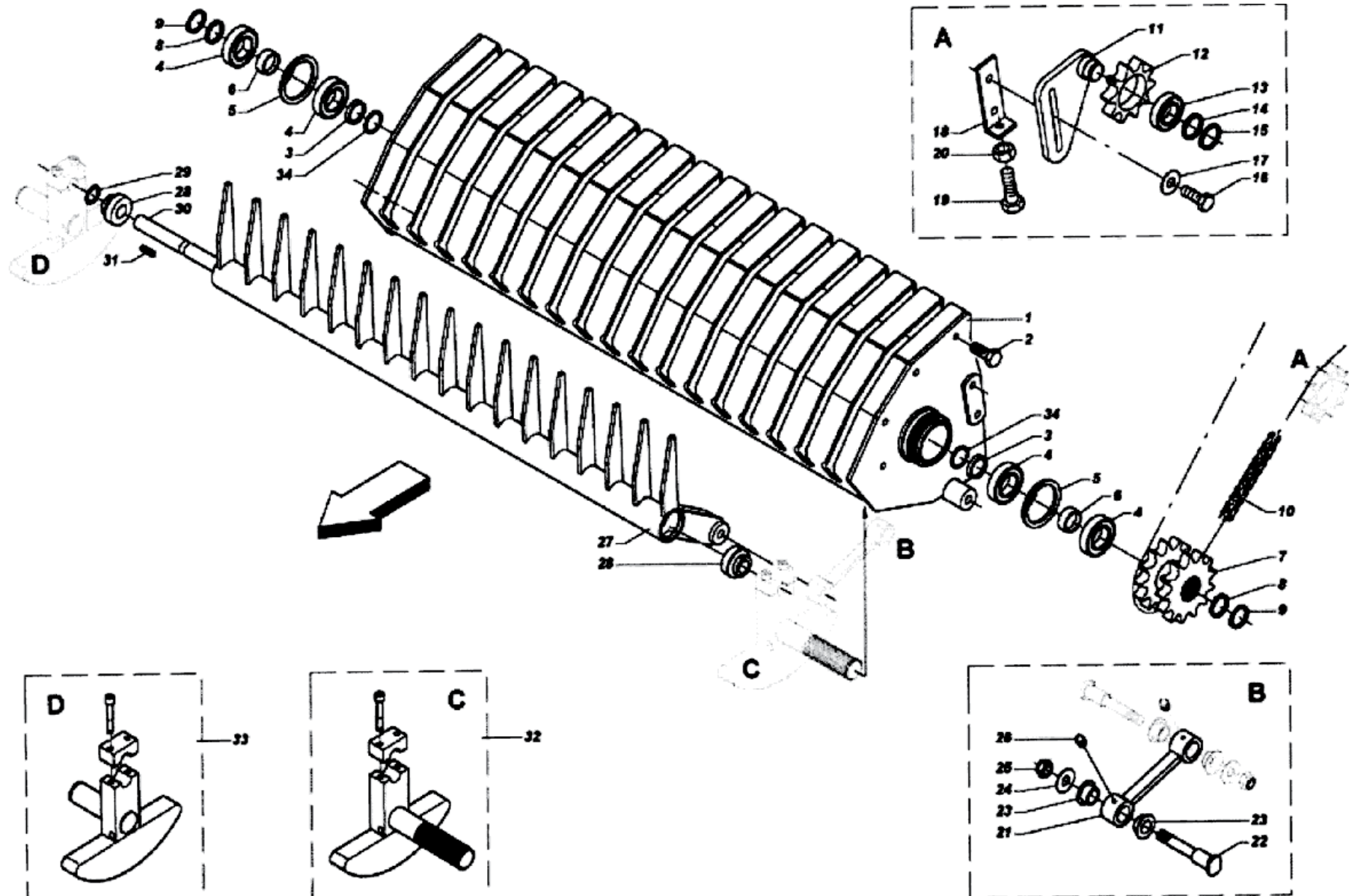
ITEM NO.	CODE	PART NAME	ITEM NO.	CODE	PART NAME
67	0921530	SELF-RETAINING NUT, M30x2-5S DIN 985	84	1300126	WASHER, 40x48x1
68	3400285	CHAIN WHEEL, Z=17-24/1"	84	1300125	WASHER, 40x48x0.5
69	30E0017	CONNECTOR, 16 B-L P/N	85	1700040	SEGER RING, Z40-E UNI 3653
69	30E1056	CHAIN, 16 B-L 56M	86	0181025	BOLT, M10x25 8.8 UNI 5739
70	0921530	SELF-RETAINING NUT, M30x2-5S DIN 985	86	0545790	SELF-RETAINING NUT, M10-5S DIN 985
71	14R3050	WASHER, 30 UNI 5714-69	86	1421025	WASHER, 10
72	3400230	CHAIN WHEEL, Z=24-12/1"	87	C000037	GUIDE BRACKET
73	1300102	CAP, 25.5x37x0.1	88	7631842	CHAIN GUIDE
73	1300104	WASHER, 25.5x37x0.2	89	1420820	WASHER, 8
73	1300105	WASHER, 25.5x37x0.5	89	0920208	SELF-RETAINING NUT, M8-5S DIN 985
73	1700025	SEGER RING, Z25-E UNI 3653	89	0470820	BOLT, M8x20 10.9
74	3400274	CHAIN WHEEL, Z=10-1"	90	C003605	ARM
75	30E0017	CONNECTOR, 16 B-L P/N	91	0181250	BOLT, M12x50 8.8 UNI 5739
75	30E1079	CHAIN, 16 B-L 79M	91	0710412	NUT, M12-6S UNI 5588
76	1334680	BUSH, 25x33x22			
77	4210610	GREASE NIPPLE, A 45° M6x1			
78	1300157	BUSH, 16.6x21.3x165			
79	1300125	WASHER, 40x48x0.5			
80	0710514	NUT, M14-6S UNI 5588			
81	1519319	WASHER, 16x38x5			
82	1800046	SPRING, 6 30 180C			
83	3400224	CHAIN WHEEL, Z=12/12-1"			
84	1300151	WASHER, 40x48x2			



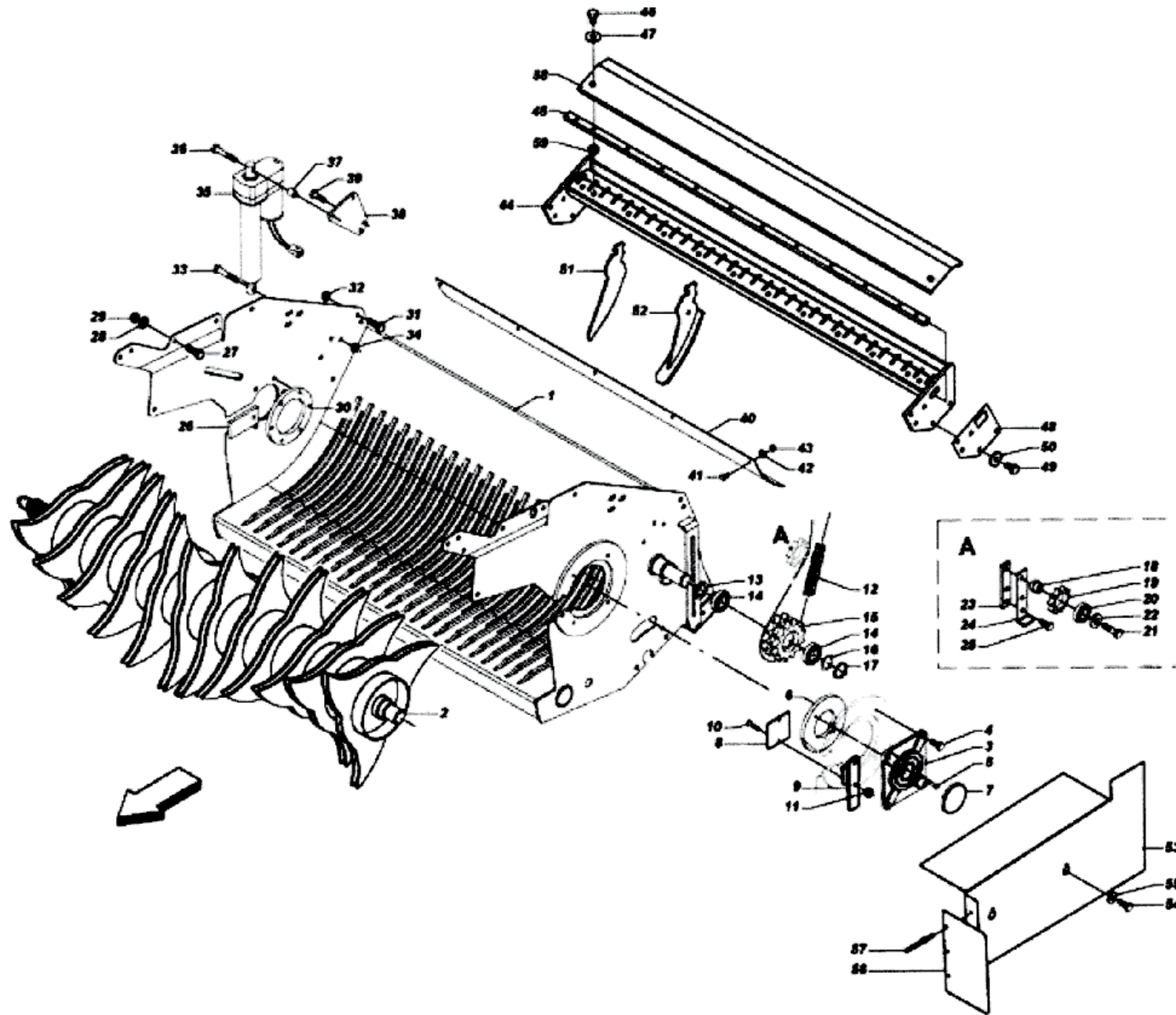
ITEM NO.	CODE	PART NAME	ITEM NO.	CODE	PART NAME
01	0181235	BOLT, M12x35 8.8 PN 82105	10	2700051	BEARING ASSEMBLY
01	0181260	BOLT, M12x60 8.8 PN 82105	11	0523395	SPECIAL BOLT, M12x45 8.8
01	0710412	NUT, M12-6S PN 82144	11	0920412	SELF-RETAINING NUT, M12-5S PN 82175
01	1421230	WASHER, 12	11	1421230	WASHER, 12
02	1300151	WASHER, 40x48x2	16	1421230	WASHER, 12
02	1300126	WASHER, 40x48x1	16	0920412	SELF-RETAINING NUT, M12-5S PN 82175
02	1300125	WASHER, 40x4x0.5	16	0523395	SPECIAL BOLT, M12x45 8.8
03	0181235	BOLT, M12x35 8.8 PN 82105	17	2700106	BEARING ASSEMBLY
03	1421230	WASHER, 12	18	1421230	WASHER, 12
04	2700106	BEARING ASSEMBLY	18	0920412	SELF-RETAINING NUT, M12-5S PN 82175
05	C003056	DISC	18	0523421	SPECIAL BOLT, M12x35 8.8
06	0523421	SPECIAL BOLT, M12x35 8.8	19	0523421	SPECIAL BOLT, M12x35 8.8
06	0920412	SELF-RETAINING NUT, M12-5S PN 82175	19	0920412	SELF-RETAINING NUT, M12-5S PN 82175
06	1421230	WASHER, 12	19	1421230	WASHER, 12
07	1300151	WASHER, 40x48x2	20	0181635	BOLT, M16x35 8.8 PN 82105
07	1300126	WASHER, 40x48x1	20	1515091	WASHER, 17x52x6
07	1300125	WASHER, 40x4x0.5	21	1421230	WASHER, 12
08	0523421	SPECIAL BOLT, M12x35 8.8	21	0920412	SELF-RETAINING NUT, M12-5S PN 82175
08	0920412	SELF-RETAINING NUT, M12-5S PN 82175	21	0523421	SPECIAL BOLT, M12x35 8.8
08	1421230	WASHER, 12	22	0181635	BOLT, M16x35 8.8 PN 82105
09	1300151	WASHER, 40x48x2	22	1515091	WASHER, 17x52x6
09	1300126	WASHER, 40x48x1	23	7S01822	ROLLING SHAFT
09	1300125	WASHER, 40x4x0.5	24	0181235	BOLT, M12x35 8.8 PN 82105

ITEM NO.	CODE	PART NAME	ITEM NO.	CODE	PART NAME
24	0181260	BOLT, M12x60 8.8 PN 82105	42	0920412	SELF-RETAINING NUT, M12-5S PN 82175
24	0710412	NUT, M12-6S PN 82144	43	0441630	BOLT, M16x30 10.9 UNI 5933
24	1421230	WASHER, 12	44	0523395	SPECIAL BOLT, M12x45 8.8
25	1421230	WASHER, 12	45	2043517	BEARING, 6207-2RS
25	0181235	BOLT, M12x35 8.8 PN 82105	46	13P0150	SEAL
26	2700051	BEARING ASSEMBLY	47	C6P0003	COVER PLATE
27*	7S01845	PRESSURE DISC	48	0920412	SELF-RETAINING NUT, M12-5S PN 82175
28*	7S01845	PRESSURE DISC	48	1421230	WASHER, 12
29*	1518412	WASHER, 12 38 5	48	0523395	SPECIAL BOLT, M12x45 8.8
30*	1300625	WASHER, 25x42x6			
31*	0471230	BOLT, M12x30 8.8			
32	7S01841	BOTTOM ROLLING SHAFT			
33	1421230	WASHER, 12			
33	0920412	SELF-RETAINING NUT, M12-5S PN 82175			
33	0523421	SPECIAL BOLT, M12x35 8.8			
34	7S01822	ROLLING SHAFT			
35	7S00942	BOTTOM DRIVE SHAFT			
36	7SP0333	CLEANING SHAFT			
37	3500324	AXLE			
38	C6P0423	BRACKET, LEFT-HAND			
39	C6P0424	BRACKET, RIGHT-HAND			
40	C6P0425	WASHER			
41	1421230	WASHER, 12			

(*) NOT AVAILABLE

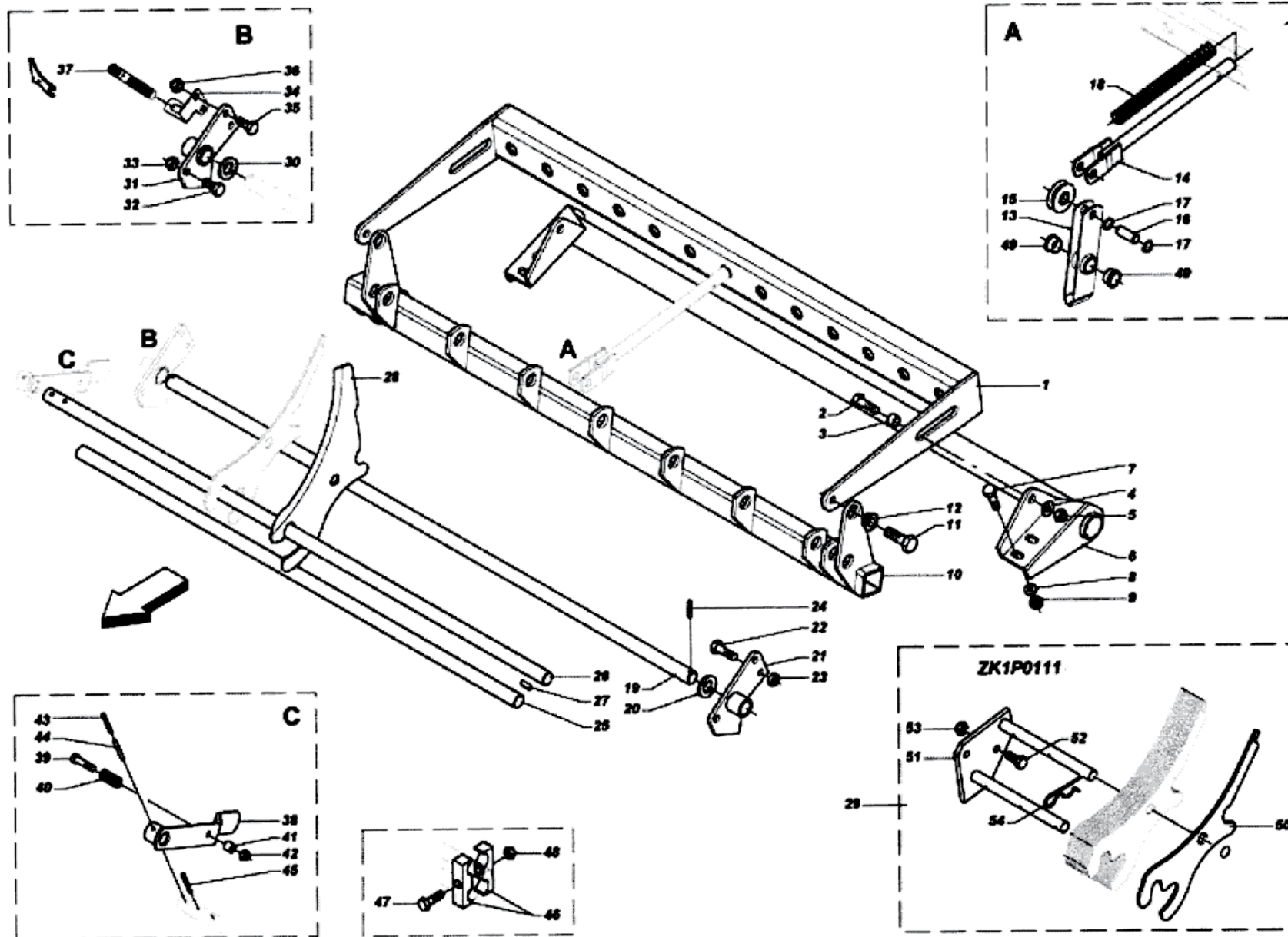


ITEM NO.	CODE	PART NAME	ITEM NO.	CODE	PART NAME
01	7S00967	COLLECTOR GUARD	21	7S00966	CONNECTING ROD
02	0181225	BOLT, M12x25 8.8 PN 82105	22	3500017	SPECIAL BOLT
03	1300605	BUSH, 35x42x5	23	2500002	BUSH, 22x28x16.5
04	2043517	BEARING, 6207-2RS	24	1300040	COPPER WASHER, 16.2x40x3
05	1710072	SEGER RING, W72-1 UNI 3654	25	0920516	SELF-RETAINING NUT, M16-5S PN 82175
06	1300523	BUSH, 35x45x12.5	26	4200610	GREASE NIPPLE, M6x1
07	3400237	CHAIN WHEEL, Z=12-12/1"	27	7S00983	COLLECTOR FORK
08	1534416	WASHER, 35 43 1	28	7S00126	BEARING
08	1534415	WASHER, 35 43 0.5	29	1300106	WASHER, 25.5 37 1
09	1700035	SEGER RING, Z35 PN 85111	30	3500038	COLLECTOR AXIS
10	30E1039	CHAIN, 16 B-L 39M	31	1000005	KEY, 8x7x23.5
10	30E0017	CONNECTOR, 26 ISO 16 B-L	32	7S00978	DRIVE ARM
11	7S00958	FIXED HOLDER	33	7S00979	PASSIVE ARM
12	3400274	CHAIN WHEEL, Z=10-1"	34	1522427	WASHER, 35 47 2
13	2042515	BEARING, 6205-2RS			
14	1300104	WASHER, 25.5 37 0.2			
14	1300102	WASHER, 25.5 37 0.1			
15	1700025	SEGER RING, Z25 PN 85111			
16	0191240	BOLT, M12x40 8.8 PN 82101			
17	1516038	WASHER, 13 32 5			
18	C005308	TENSIONER SUPPORT			
19	0181270	BOLT, M12x70 8.8 PN 82105			
20	0710412	NUT, M12-6S PN 82144			



ITEM NO.	CODE	PART NAME	ITEM NO.	CODE	PART NAME
01	7S01791	ROTOR FRAME	22	1518412	WASHER, 12 38 5
02	7S01944	ROTOR	23	C002390	SNAP FASTENER
03	2700153	BEARING ASSEMBLY	24	C002389	BRACKET
04	0181230	BOLT, M12x30 8.8 PN 82105	25	0181230	BOLT, M12x30 8.8 PN 82105
05	1420820	WASHER, 8	26	C003748	PLUG, RIGHT-HAND
05	0190850	BOLT, M8x50 8.8 PN 82101	27	0181230	BOLT, M12x30 8.8 PN 82105
06	1300714	GUARD, LEFT-HAND	28	1421230	WASHER, 12
07	4400001	COVER, 110x10 TYPE C	29	0920412	SELF-RETAINING NUT, M12-5S PN 82175
08	C003746	PLUG, LEFT-HAND	30	1300960	ROTOR WASHER
09	7SP0046	SNAP FASTENER, LEFT-HAND	30	1300509	FLANGE
10	0440835	BOLT, M8x35 10.9 UNI 5933	31	0181240	BOLT, M12x40 8.8 PN 82105
11	0920208	SELF-RETAINING NUT, M8-5S PN 82175	32	0920412	SELF-RETAINING NUT, M12-5S PN 82175
12	30E0017	CONNECTOR, 16 B-L P/N	33	0181260	BOLT, M12x60 8.8 PN 82105
12	30E1039	CHAIN, 16 B-L 39M	34	0920412	SELF-RETAINING NUT, M12-5S PN 82175
13	1330957	BUSH, 35-48-7	35	E000064	ELECTRIC ACTUATOR, TOLLO D12 21B5 04
14	2043514	BEARING, 6007-2RS	36	0181290	BOLT, M12x90 8.8 PN 82105
15	3400005	CHAIN WHEEL, Z=12/12-1"	37	1300746	BUSH, 12.5x21.3x15
16	1534416	WASHER, 35 43 1	38	7S01203	ACTUATOR COUPLING
17	1700035	SEGER RING, Z35 PN 85111	39	0401235	BOLT, M12x35 8.8 UNI 5931
18	1300302	BUSH	40	7V00092	RUBBER GUARD
19	3400274	CHAIN WHEEL, Z=10-1"	41	0180820	BOLT, M8x20 8.8 PN 82105
20	2042515	BEARING, 6205-2RS	42	14B0825	EXPANDING WASHER, 8x32
21	0191260	BOLT, M12x60 8.8 PN 82101	43	0920208	SELF-RETAINING NUT, M8-5S PN 82175

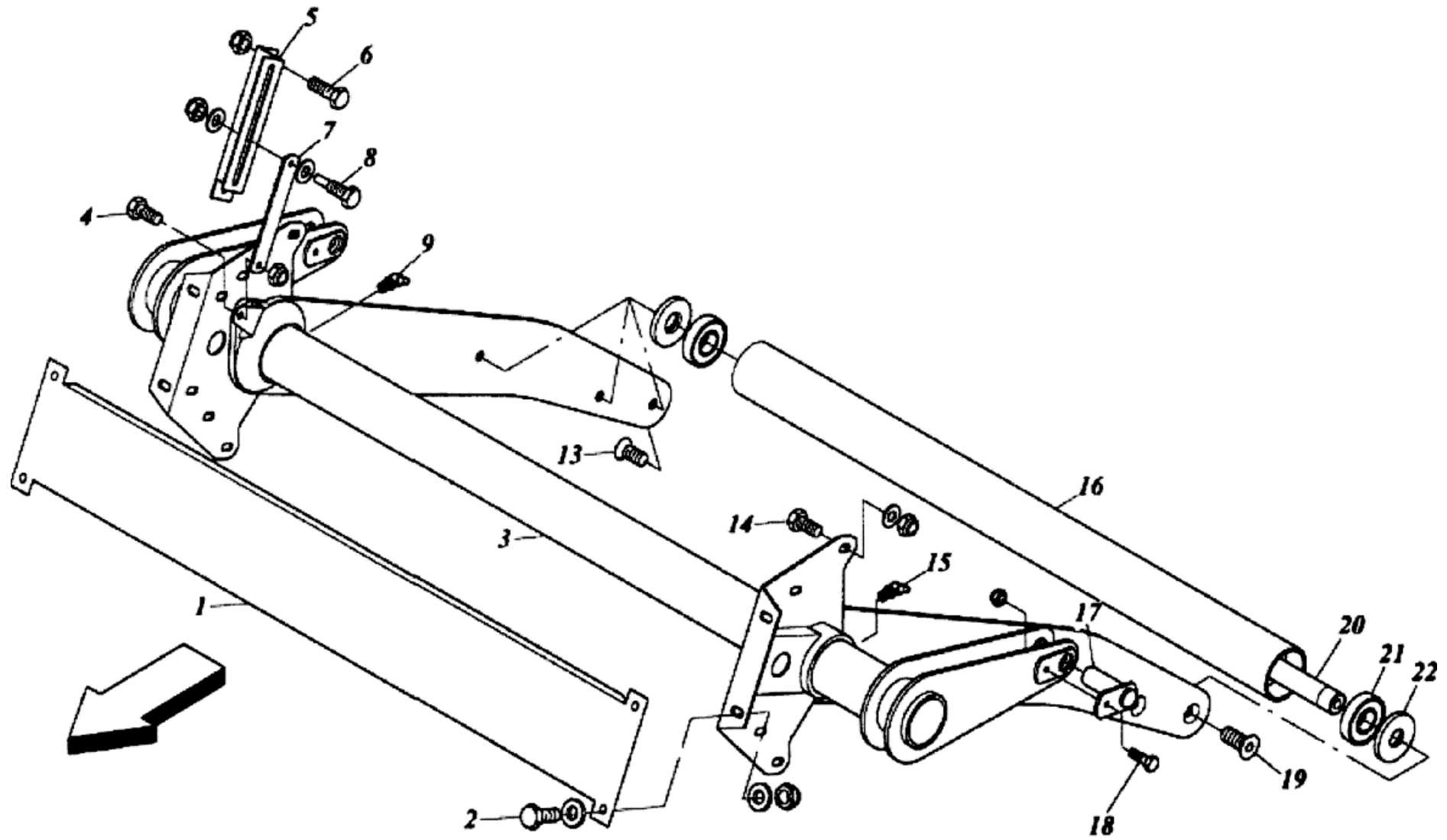
ITEM NO.	CODE	PART NAME	
44	7S01801	RAKE FIXTURE	
45	C005018	COVER PLATE	
46	0181030	BOLT, M10x30 8.8 PN 82105	
47	1421025	WASHER, 10	
48	C003616	RAKE WASHER	
49	0181225	BOLT, M12x25 8.8 PN 82105	
50	1515797	WASHER, 12 25 5	
51	C6P0263	RAKE	
52	7SP0241	RAKE	
53	C005268	COVER	
54	0180820	BOLT, M8x20 8.8 PN 82105	
55	1420820	WASHER, 8	
56	C004239	GUARD INSERT	
57	1000009	RIVET, 4x8	
58	C3P0153	SCRAPER	
59	13C0126	BUSH	



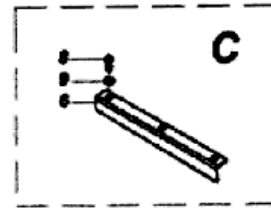
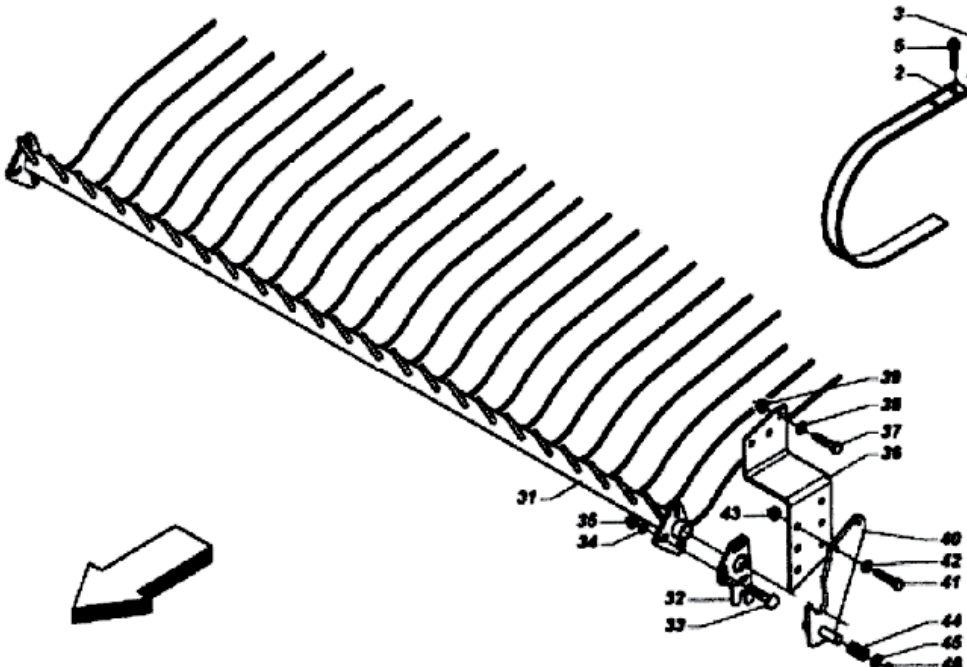
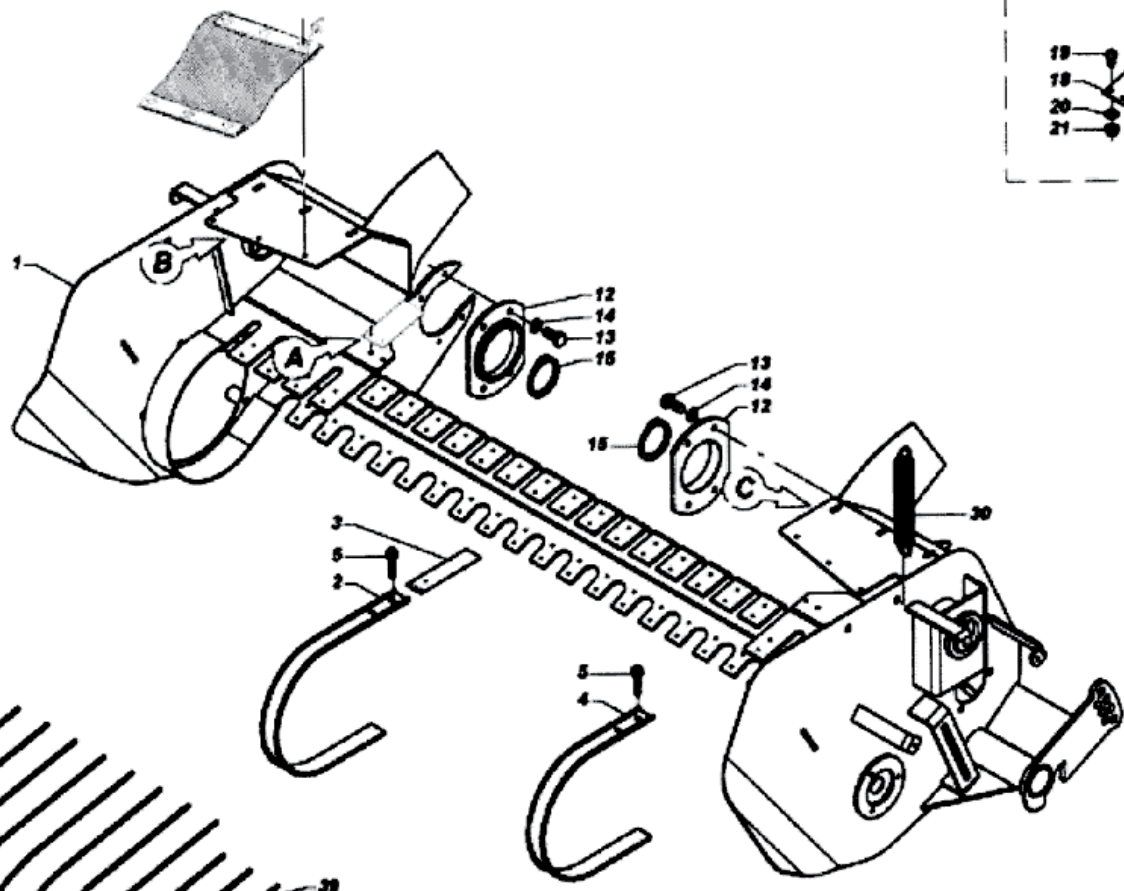
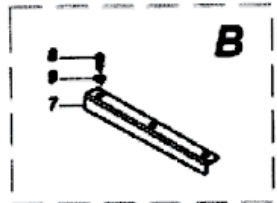
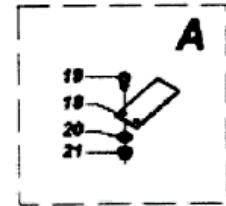
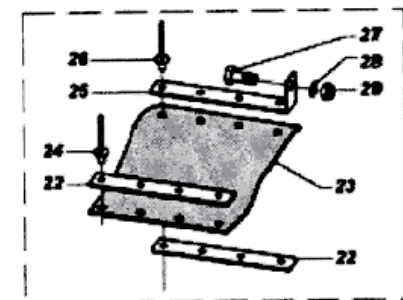
ITEM NO.	CODE	PART NAME	ITEM NO.	CODE	PART NAME
01	7S01802	SPRING FRAME	24	1110635	RAWLPLUG, 6x35 DIN 1481
02	0181645	BOLT, M16x45 8.8 PN 82105	25	35P0016	BLADE CLOSURE
03	1300745	BUSH, 16x20x14	26	35P0015	BLADE BASE
04	1421630	WASHER, 16	27	1203025	KEY, A 8x7x25
05	0920516	SELF-RETAINING NUT, M16-5S PN 82175	28	7U00035	BLADE
06	7S01636	LOWER FRAME	29*	ZK1P0111	SPARE BLADE SET
07	0181225	BOLT, M12x25 8.8 PN 82105	30	1300036	WASHER, 25.5x40x4
08	1421230	WASHER, 12	31	7S01144	LEVER, RIGHT-HAND
09	0920412	SELF-RETAINING NUT, M12-5S PN 82175	32	0181230	BOLT, M12x30 8.8 PN 82105
10	7S01803	BLADE FRAME	33	0920412	SELF-RETAINING NUT, M12-5S PN 82175
11	0181630	BOLT, M16x30 8.8 PN 82105	34	C004233	BRACKET
12	1300706	BUSH	35	0181235	BOLT, M12x35 8.8 PN 82105
13	7SP0024	FORK	36	0920412	SELF-RETAINING NUT, M12-5S PN 82175
14	7S01125	SPRING GUIDE	37	E000056	PROXIMITY SENSOR
15	3800014	GUIDING ROLLER	38	7S01159	HANDLE
16	1300694	PIN	39	0401060	BOLT, M10x60 8.8 UN 15931
17	1700016	SEGER RING, Z16-E PN 85111	40	1821993	SPRING
18	1800049	SPRING, 5 30 293C	41	1300401	TAPPED BUSH
19	3500034	PIN	42	0545790	SELF-RETAINING NUT, M10-5S PN 82175
20	1300036	WASHER, 25.5x40x4	43	1110840	RAWLPLUG, 8x40 "SS" DIN 1481
21	7S01145	LEVER, LEFT-HAND	44	1110540	RAWLPLUG, 5x40 "SS" DIN 1481
22	0181230	BOLT, M12x30 8.8 PN 82105	45	1110840	RAWLPLUG, 8x40 "SS" DIN 1481
23	0920412	SELF-RETAINING NUT, M12-5S PN 82175	46	27P0001	HANDLE

ITEM NO.	CODE	PART NAME	
47	0191265	BOLT, M12x65 8.8 PN 82101	
48	0920412	SELF-RETAINING NUT, M12-5S PN 82175	
49	25P0003	BUSH	
50*	C005006	SPARE BLADE	
51*	7S01031	BLADE SUPPORT	
52*	0181230	BOLT, M12x30 8.8 PN 82105	
53*	0920412	SELF-RETAINING NUT, M12-5S PN 82175	
54*	1170484	SPRING COTTER PIN, 4	

(*) OPTIONAL EQUIPMENT

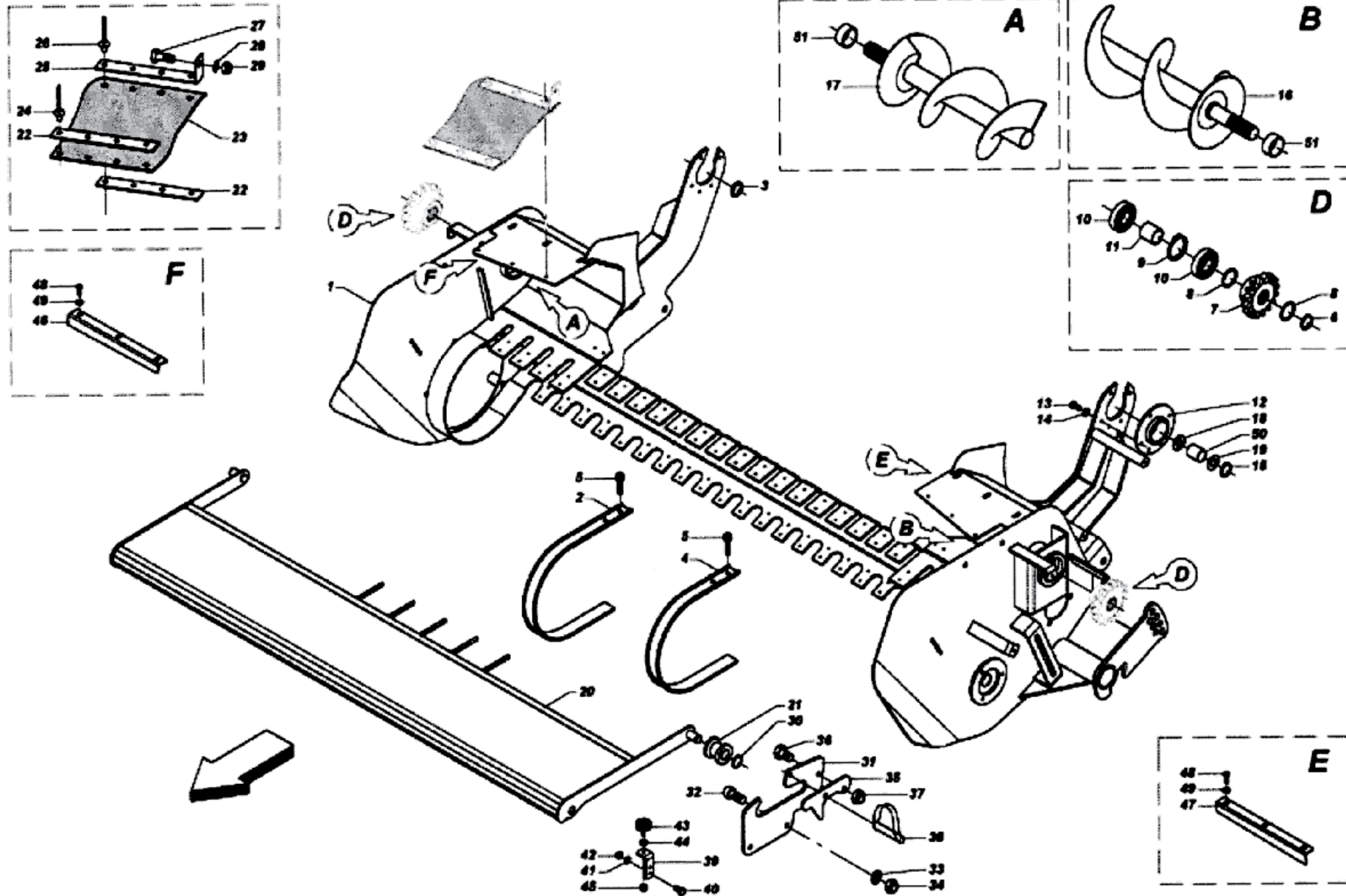


ITEM NO.	CODE	PART NAME	ITEM NO.	CODE	PART NAME
01	C002356	FRONT LINK	18	0920208	SELF-RETAINING NUT, M8-5S PN 82175
02	0181230	BOLT, M12x30 8.8 PN 82105	19	0441635	BOLT, M16x35 10.9 UNI 5933
02	0920412	SELF-RETAINING NUT, M12-5S PN 82175	20	3500213	SHORT AXLE
02	1421230	WASHER, 12	21	2040002	BEARING, 6307-2RS
03	7S01213	CONTROL ARM	22	1300623	SEAL
04	0181025	BOLT, M10x25 8.8 PN 82105			
04	0545790	SELF-RETAINING NUT, M10-5S PN 82175			
05	C002060	INDICATOR DIAL			
06	0181225	BOLT, M12x25 8.8 PN 82105			
06	0920412	SELF-RETAINING NUT, M12-5S PN 82175			
07	C002061	LEVER			
08	0500034	INDICATOR SCREW			
08	0545790	SELF-RETAINING NUT, M10-5S PN 82175			
08	1431020	WASHER, 10x30			
09	4211010	GREASE NIPPLE, M10x1 45°			
13	0441635	TAPER BOLT, M16x35 10.9 UNI 5933			
14	0181225	BOLT, M12x25 8.8 PN 82105			
14	0920412	SELF-RETAINING NUT, M12-5S PN 82175			
14	1421230	WASHER, 12			
15	4211010	GREASE NIPPLE, M10x1 45°			
16	3500165	SHAFT			
17	7S00936	ACTUATOR PIN			
18	0190830	BOLT, M8x30 8.8 PN 82101			



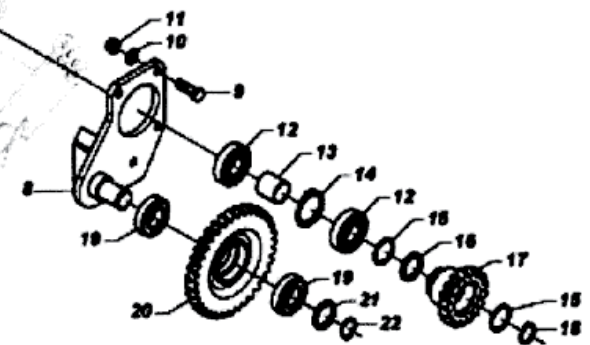
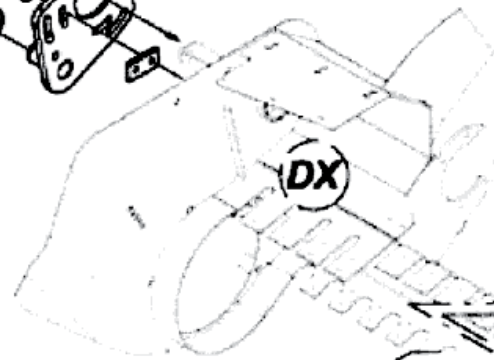
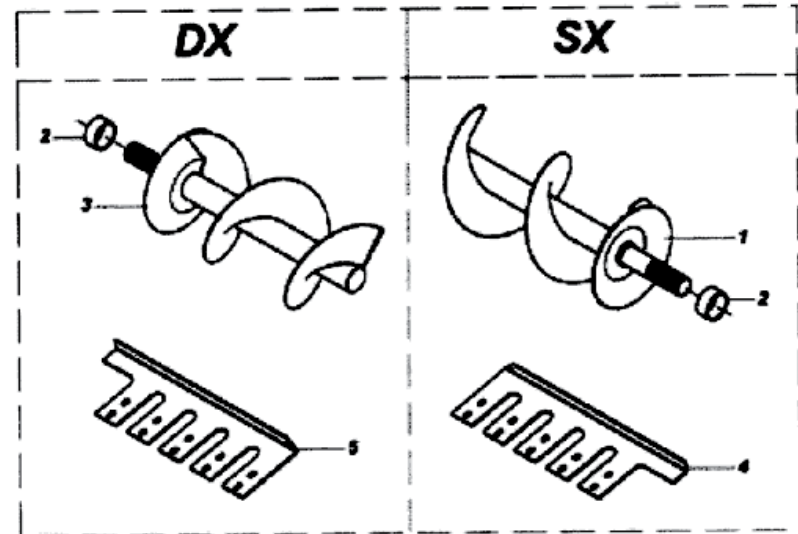
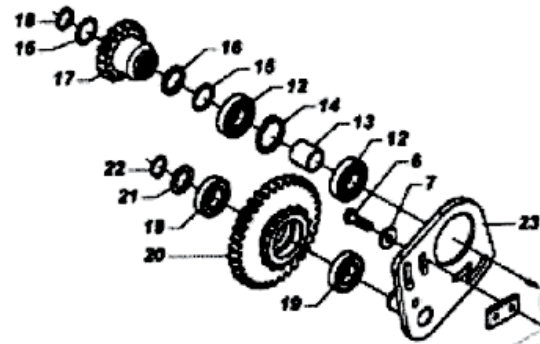
ITEM NO.	CODE	PART NAME	ITEM NO.	CODE	PART NAME
01	7SP0193	PICKUP FRAME	24	1000013	RIVET, 6x18
02	C003304	MIDDLE SHIELD	25	C003729	APRON BRACKET
03	C002069	SHIELD SPRING	26	1000012	RIVET, 6x26
04	C003183	SIDE SHIELD	27	0181025	BOLT, M10x25 8.8 PN 82105
05	0370615	BOLT, M6x16	28	1421025	WASHER, 10
06	C3P0083	STOP, LEFT-HAND	29	0545790	SELF-RETAINING NUT, M10-5S PN 82175
07	C3P0082	STOP, RIGHT-HAND	30	1810412	SPRING
08	0470820	BOLT, M8x20 10.9	31	7SP0200	PRESSURE CLAMP
09	1430820	WASHER, 8x24	32	C003179	HANDLE
11	C003728	HOOK, LEFT-HAND	33	0523395	BOLT, M12x45-8.8
11	C003727	HOOK, RIGHT-HAND	34	1522469	WASHER, 13 42 6
12	1300715	PICKUP FLANGE	35	0920412	SELF-RETAINING NUT, M12-5S PN 82175
13	0181015	BOLT, M10x15 8.8 PN 82105	36	C000057	PRESSURE CLAMP BRACKET, LEFT-HAND
14	1421025	WASHER, 10	36	C000056	PRESSURE CLAMP BRACKET, RIGHT-HAND
15	1700095	SEGER RING, Z95-E PN 85111	37	0181245	BOLT, M12x45 8.8 PN 82105
16	C6P0039	STOP	38	1421230	WASHER, 12
17	0181235	BOLT, M12x35 8.8 PN 82105	39	0920412	SELF-RETAINING NUT, M12-5S PN 82175
18	C004894	SHIELD	40	7S01004	SUSPENSION ASSEMBLY, LEFT-HAND
19	0470620	Bolt, M6x20 8.8	40	7S01005	SUSPENSION ASSEMBLY, RIGHT-HAND
20	1420615	WASHER, 6	41	0181235	BOLT, M12x35 8.8 PN 82105
21	0920106	SELF-RETAINING NUT, M 6-5S PN 82175	42	1431225	WASHER, 12x36
22	C003730	COVER PLATE	43	0920412	SELF-RETAINING NUT, M12-5S PN 82175
23	7V00081	PROTECTIVE APRON	44	1817605	SPRING C 2.5 0P24.5 L=60

ITEM NO.	CODE	PART NAME	
45	1422035	WASHER, 20	
46	1700020	SEGER RING, Z20-E PN 85111	
47	0181630	BOLT, M16x30 8.8 PN 82105	
48	0700516	NUT, M16-6S PN 82153	

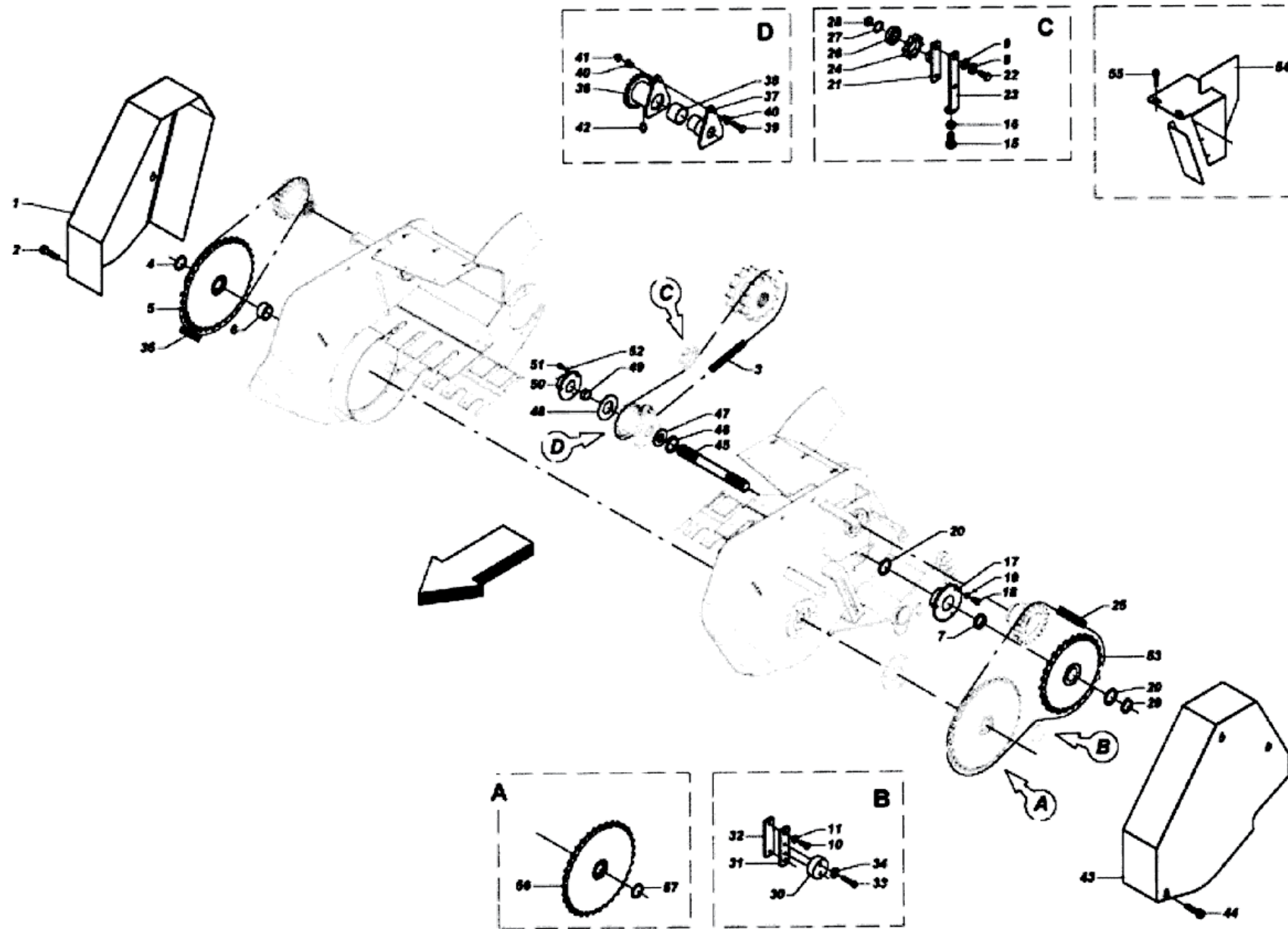


ITEM NO.	CODE	PART NAME	ITEM NO.	CODE	PART NAME
01	7SP0201	PICKUP FRAME	24	1000013	RIVET, 6x18
02	CO03304	MIDDLE SHIELD	25	C003729	APRON BRACKET
03	1300003	WASHER	26	1000012	RIVET, 6x26
04	C003183	SIDE SHIELD	27	0181025	BOLT, M10x25 8.8 PN 82105
05	0370615	BOLT, M6x16	28	1421025	WASHER, 10
06	1700035	SEGER RING, Z35-E PN 85111	29	0545790	SELF-RETAINING NUT, M10-5S PN 82175
07	34P0005	CHAIN WHEEL, Z=13-3/4"	30	1700025	SEGER RING, Z25-E PN 85111
08	1534416	WASHER, 35 43 1	31	C100017	PRESSURE CLAMP FIXING
09	1710072	SEGER RING, Z 72-1 UNI 3654	32	0471230	BOLT, M12x30 8.8
10	2040003	BEARING, 6207-2RS	33	1421230	WASHER, 12
11	1300739	BUSH, 35x42x41	34	0920412	SELF-RETAINING NUT, M12-5S PN 82175
12	1300649	FLANGE	35	C004002	HOOK
13	0181015	BOLT, M10x15 8.8 PN 82105	36	0181230	BOLT, M12x30 8.8 PN 82105
14	1421025	WASHER, 10	37	0920412	SELF-RETAINING NUT, AM12-5S PN 82175
15	1700045	SEGER RING, Z45-E UNI 3653	38	1000021	PIN, 10x45
16	7S01654	WORM SCREW, LEFT-HAND	39	C005187	SHOCK ABSORBER BRACKET
17	7S01653	WORM SCREW, RIGHT-HAND	40	0181030	BOLT, M10x30 8.8 PN 82105
18	1527654	WASHER, 45 62 4	41	1421025	WASHER, 10
19	1547230	WASHER, 45 62 2	42	0545790	SELF-RETAINING NUT, M10-5S PN 82175
20	7S01848	PRESSURE CLAMP	43	7049749	SHOCK ABSORBER, 50x21 M10
21	C003712	ROLLER	44	0710310	NUT, M10-6S PN 82144
22	C003730	COVER PLATE	45	0545790	SELF-RETAINING NUT, M10-5S PN 82175
23	7V00081	PROTECTIVE APRON	46	C3P0082	STOP, RIGHT-HAND

ITEM NO.	CODE	PART NAME	
47	C3P0083	STOP, LEFT-HAND	
48	0470820	BOLT, M8x20 10.9	
49	1430820	WASHER, 8x24	
50	2500010	TULEJA, 45 53 25	
51	1300046	BUSH, 35.2x42.4x15	

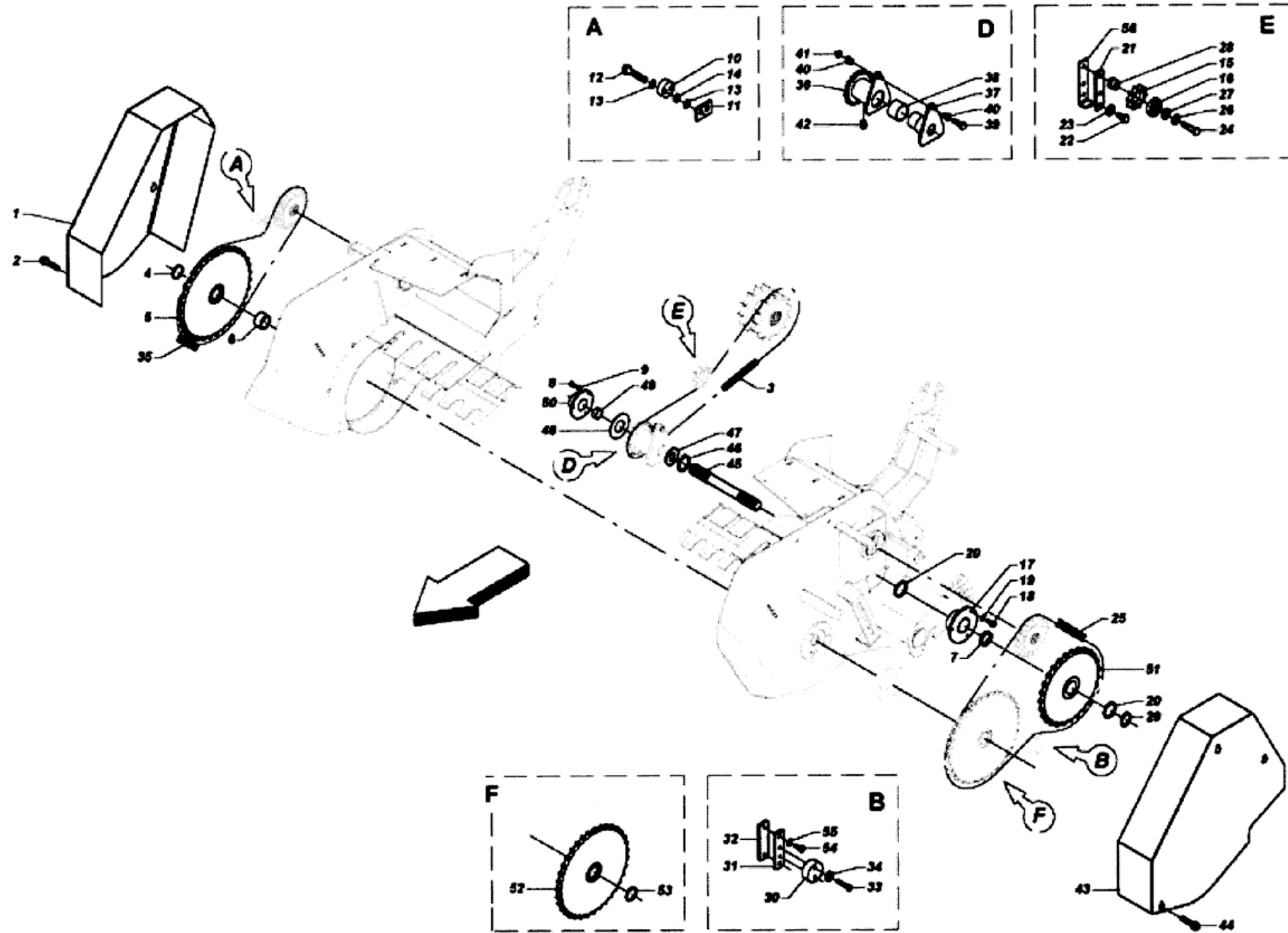


ITEM NO.	CODE	PART NAME	ITEM NO.	CODE	PART NAME
01	7S01654	WORM SCREW, LEFT-HAND	24	C003172	TENSIONER SUPPORT
02	1300046	BUSH, 35.2x42.4x15			
03	7S01653	WORM SCREW, RIGHT-HAND			
04	C3P0100	MOUNT, LEFT-HAND			
05	C3P0099	MOUNT, RIGHT-HAND			
06	0191240	BOLT, M12x40 8.8 PN 82101			
07	1516038	WASHER, 13 32 5			
08	7SP0238	PLATE, LEFT-HAND			
09	0191240	BOLT, M12x40 8.8 PN 82101			
10	1421230	WASHER, 12			
11	0920412	SELF-RETAINING NUT, M12-5S PN 82175			
12	2040003	BEARING, 6207-2RS			
13	1300739	BUSH, 35x42x41			
14	1710072	SEGER RING, Z72-1 UNI 3654			
15	1534416	WASHER, 35 43 1			
16	13P0133	WASHER, 35 45 5			
17	34P0048	GEAR WHEEL, Z=17 M=5			
18	1700035	SEGER RING, Z35-E PN 85111			
19	2043016	BEARING, 6206-2RS			
20	34P0049	GEAR WHEEL, Z= 16 3/4" + INGR. Z=35 M=5			
21	13P0130	WASHER, 30 45 3			
22	1700030	SEGER RING, Z30-E PN 85111			
23	7SP0239	PLATE, RIGHT-HAND			



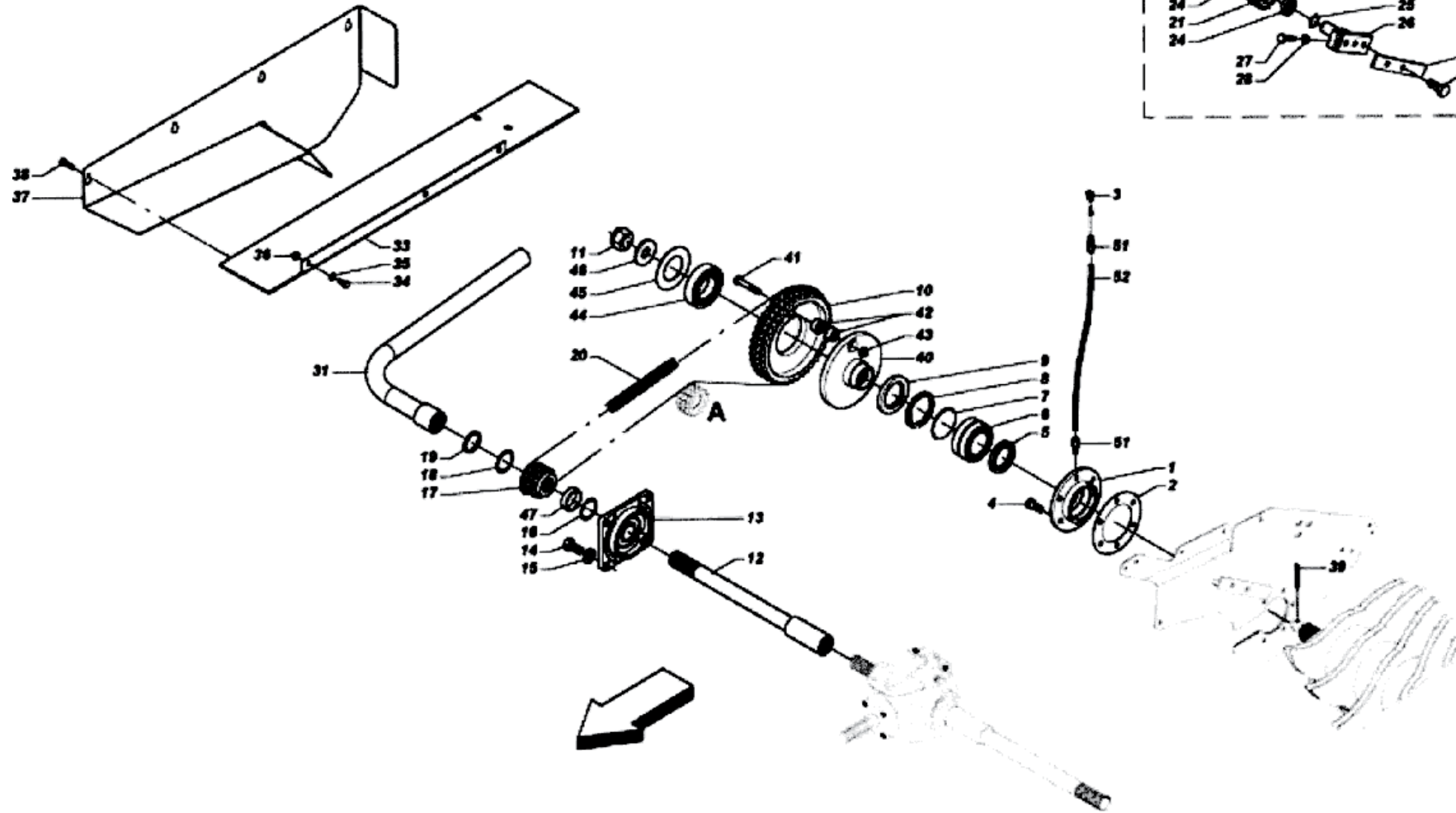
ITEM NO.	CODE	PART NAME	ITEM NO.	CODE	PART NAME
01	7SP0198	PICKUP GUARD, RIGHT-HAND	26	2042515	BEARING, 6205-2RS
02	0370001	BOLT, 8x16	27	1300104	WASHER, 25.5 37 0.2
03	30E0017	CONNECTOR, 16 B-L P/N	27	1300102	WASHER, 25.5 37 0.1
03	30E1026	CHAIN, 16 B-L 26M	28	1700025	SEGER RING, Z25-E PN 85111
04	1300100	WASHER, 30.3 40 0.5	29	1700035	SEGER RING, Z35-E PN 85111
07	13P0040	BUSH, 35.5x42.4x15	30	7V00031	TENSIONER ASSEMBLY
08	1516038	WASHER, 13 32 5	31	C6P0273	PLATE I
09	1431225	WASHER, 12x36	32	C6P0275	PLATE II
10	0181235	BOLT, M12x35 8.8 PN 82105	33	0191255	BOLT, M12x55 8.8 PN 82101
11	1421025	WASHER, 10	34	1523831	WASHER, 12 33 5
14	1523831	WASHER, 12 33 5	35	3110007	CONNECTOR, 26 ASA60-1 P/N
15	0181260	BOLT, M12x60 8.8 PN 82105	35	3111046	CHAIN, 60-1 46 MGL ISO 12-AL
16	0710412	NUT, M12-6S PN 82144	36	3400241	CLUTCH HUB I
17	2353035	HUB	37	7S01001	CLUTCH HUB II
18	0181020	BOLT, M10x20 8.8 PN 82105	38	2500001	BUSH, 50x56x38
19	1421025	WASHER, 10	39	0170845	BOLT, M8x45 10.9 PN 82101
20	1534416	WASHER, 35 43 1	40	0511057	BUSH
21	7S01013	TENSIONER ASSEMBLY	41	08B0208	SELF-RETAINING NUT, M8 KL8
22	0181230	BOLT, M12x30 8.8 PN 82105	42	4200610	GREASE NIPPLE, M6x1
23	C6P0065	TENSIONER SUPPORT	43	7SP0199	PICKUP GUARD, LEFT-HAND
24	3400274	CHAIN WHEEL, Z=10-1" ISO F52	44	0370001	BOLT, TE M 8x16 A, THREE LOBED
25	3110007	CONNECTOR, 26 ASA60-1 P/N	45	35P0058	COUNTERSHAFT, SHORT, PU L LT
25	3111063	CHAIN, 60-1 63 MGL ISO 1 2 A-L	45	35P0010	COUNTERSHAFT, SHORT, PU M LT

ITEM NO.	CODE	PART NAME			
46	1700040	SEGER RING, Z40-E UNI 3653			
47	1300126	WASHER, 40 48 1			
48	1534395	WASHER 35.5x62x3			
49	1300607	BUSH, 35x42x35			
50	2353035	HUB			
51	0181020	BOLT, M8x20 8.8 PN 82105			
52	1421025	WASHER, 10			
53	34P0004	CHAIN WHEEL, Z=27-3/4"			
54	C005269	CLUTCH GUARD			
55	0370001	BOLT, M8x16			
56	34P0041	CHAIN WHEEL, Z=35-3/4"			
57	1534416	WASHER, 35 43 1			



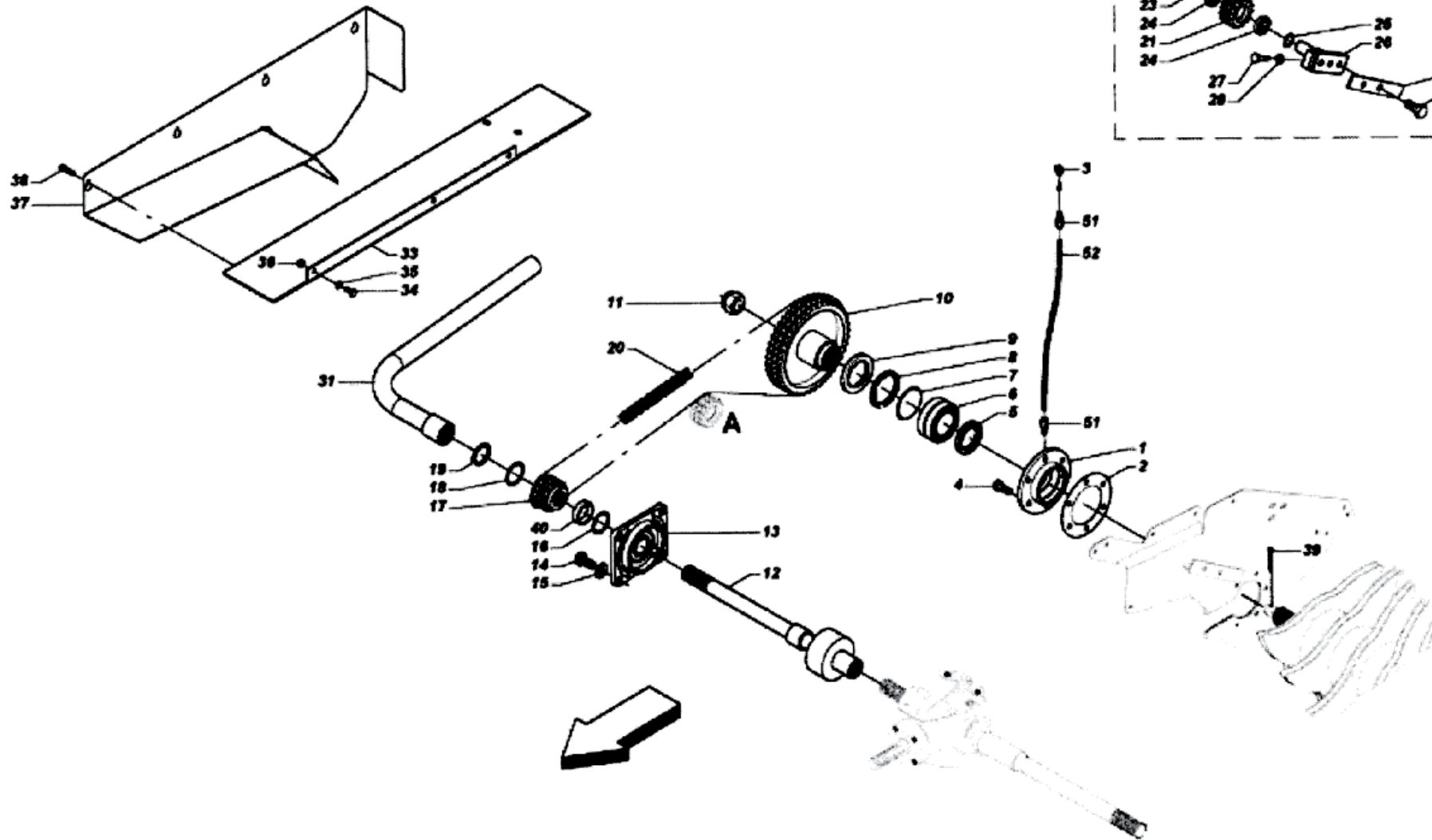
ITEM NO.	CODE	PART NAME	ITEM NO.	CODE	PART NAME
01	7SP0198	PICKUP GUARD, RIGHT-HAND	21	C002390	TENSIONER ASSEMBLY
02	0370001	BOLT, M8x16	22	0181230	BOLT, M12x30 8.8 PN 82105
03	30E0017	CONNECTOR, 16 B-L P/N	23	1518412	WASHER, 12 38 5
03	30E1052	CHAIN, 16 B-L 52M	24	0191260	BOLT, M12x60 8.8 PN 82101
04	1300101	WASHER, 30.3 40 1	25	3110007	CONNECTOR, 26 ASA60-1 P/N
04	1300100	WASHER, 30.3 40 0.5	25	3111069	CHAIN, 60-1 69 MGL
05	34P0002	CHAIN WHEEL, Z=35-3/4"	26	1431225	WASHER, 12x36
06	13P0039	BUSH, 30.5x42.4x15	27	1518412	WASHER, 12 38 5
07	13P0040	BUSH, 35.5x42.4x15	28	1300302	SWORZEŃ
08	0181020	BOLT, M10x20 8.8 PN 82105	29	1700035	SEGER RING, Z35 PN 85111
09	1421025	WASHER, 10	30	7V00031	TENSIONER ASSEMBLY
10	7V00031	TENSIONER ASSEMBLY	31	C6P0273	PLATE I
11	C003172	TENSIONER SUPPORT	32	C6P0275	PLATE II
12	0191270	BOLT, M12x70 8.8 PN 82101	33	0191255	BOLT, M12x55 8.8 PN 82101
13	1421230	WASHER, 12	34	1523831	WASHER, 12 33 5
13	1431225	WASHER, 12x36	35	3110007	CONNECTOR, 26 ASA60-1 P/N
14	1523831	WASHER, 12 33 5	35	3111058	CHAIN, ASA60-1
15	3400274	CHAIN WHEEL, Z=10-1"	36	3400241	CLUTCH HUB I
16	2042515	BEARING, 6205-2RS	37	7S01001	CLUTCH HUB II
17	2353035	HUB	38	2500001	BUSH, 50x56x38
18	0181020	BOLT, M10x20 8.8 PN 82105	39	0170845	BOLT, M8x45 8.8 PN 82101
19	1421025	WASHER, 10	40	0511057	BUSH
20	1534416	WASHER, 35 43 1	41	08B0208	SELF-RETAINING NUT, M8 KL8

ITEM NO.	CODE	PART NAME	
42	4200610	GREASE NIPPLE, M6x1	
43	7SP0199	PICKUP GUARD, LEFT-HAND	
44	0370001	BOLT, 8x16	
45	35P0058	ROLLER	
46	1700040	SEGER RING, Z40 UNI 3653	
47	1300126	WASHER, 40 48 1	
48	1534395	WASHER 35.5x62x3	
49	1300607	BUSH, 35x42x35	
50	2353035	HUB	
51	34P0004	CHAIN WHEEL, Z=27-3/4"	
52	34P0041	CHAIN WHEEL, Z=35-3/4"	
53	1534416	WASHER, 35 43 1	
54	0181235	BOLT, M12x35 8.8 PN 82105	
55	1421025	WASHER, 10	
56	C002389	BRACKET	

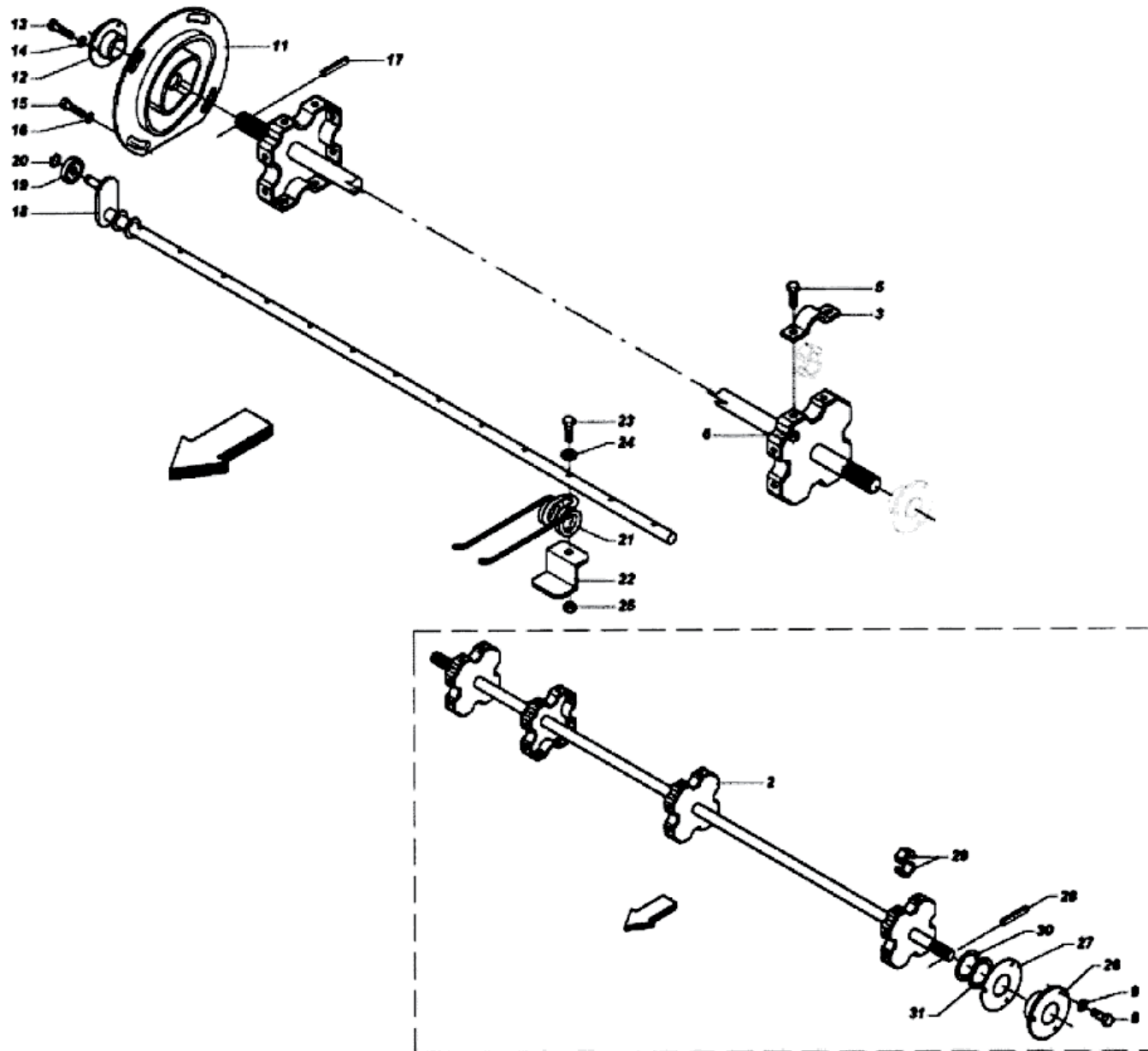


ITEM NO.	CODE	PART NAME	ITEM NO.	CODE	PART NAME
01	2700052	HUB	21	3400073	CHAIN WHEEL, Z=13-3/4"x7/16"
02	1300960	HUB WASHER	22	1700025	SEGER RING, Z25
03	4200610	GREASE NIPPLE, M6x1	23	1300105	WASHER, 25.5 37 0.5
04	0401240	BOLT, M12x40 8.8 UNI 5931	23	1300106	WASHER, 25.5 37 1
05	4304966	SEALING RING, 55x85x10	24	2042512	BEARING, 6005-2RS
06	2335023	BEARING, 22210	25	1300105	WASHER, 25.5 37 0.5
07	1534318	WASHER, 80 90 0.2	25	1300106	WASHER, 25.5 37 1
08	1710090	SEGER RING, W90	26	7S00848	LOCATING PIN
09	4305668	SEALING RING, 65x90x10	27	0181280	BOLT, M12x80 8.8 PN 82105
10	3400070	THREE-ROW CHAIN WHEEL, Z=42-3/4"x7/16"	28	0710412	NUT, M12-6S PN 82144
11	0851530	NUT, M30x2	29	C002732	BRACKET
12	R000304	AXLE SHAFT, RIGHT HAND, L=602	30	0181635	BOLT, M16x35 8.8 PN 82105
13	2700051	BEARING ASSEMBLY	31	7S00869	STOCK
14	0181235	BOLT, M12x35 8.8 PN 82105	33	C002663	ROTOR DRIVE GUARD II
15	1421230	WASHER, 12	34	0181225	BOLT, M12x25 8.8 PN 82105
16	1300150	WASHER, 40 48 1.5	35	1421230	WASHER, 12
16	1300151	WASHER, 40 48 2	36	0920412	SELF-RETAINING NUT, M12-5S PN 82175
17	3400072	THREE-ROW CHAIN WHEEL, Z=13-3/4"x7/16"	37	7S01212	ROTOR DRIVE GUARD
18	1300151	WASHER, 40 48 2	38	0180815	BOLT, M8x15 8.8 PN 82105
18	1300150	WASHER, 40 48 1.5	39	1150560	COTTER PIN, 5x60 UNH 336
19	1700040	SEGER RING, Z40 PN 85111	40	2700079	HUB
20	30F1117	CHAIN, 12B-3 H7M	41	0191460	BOLT, M14x60 8.8 PN 82101
20	30F0017	CONNECTOR, 12B-3 P/N	42	1300702	BUSH

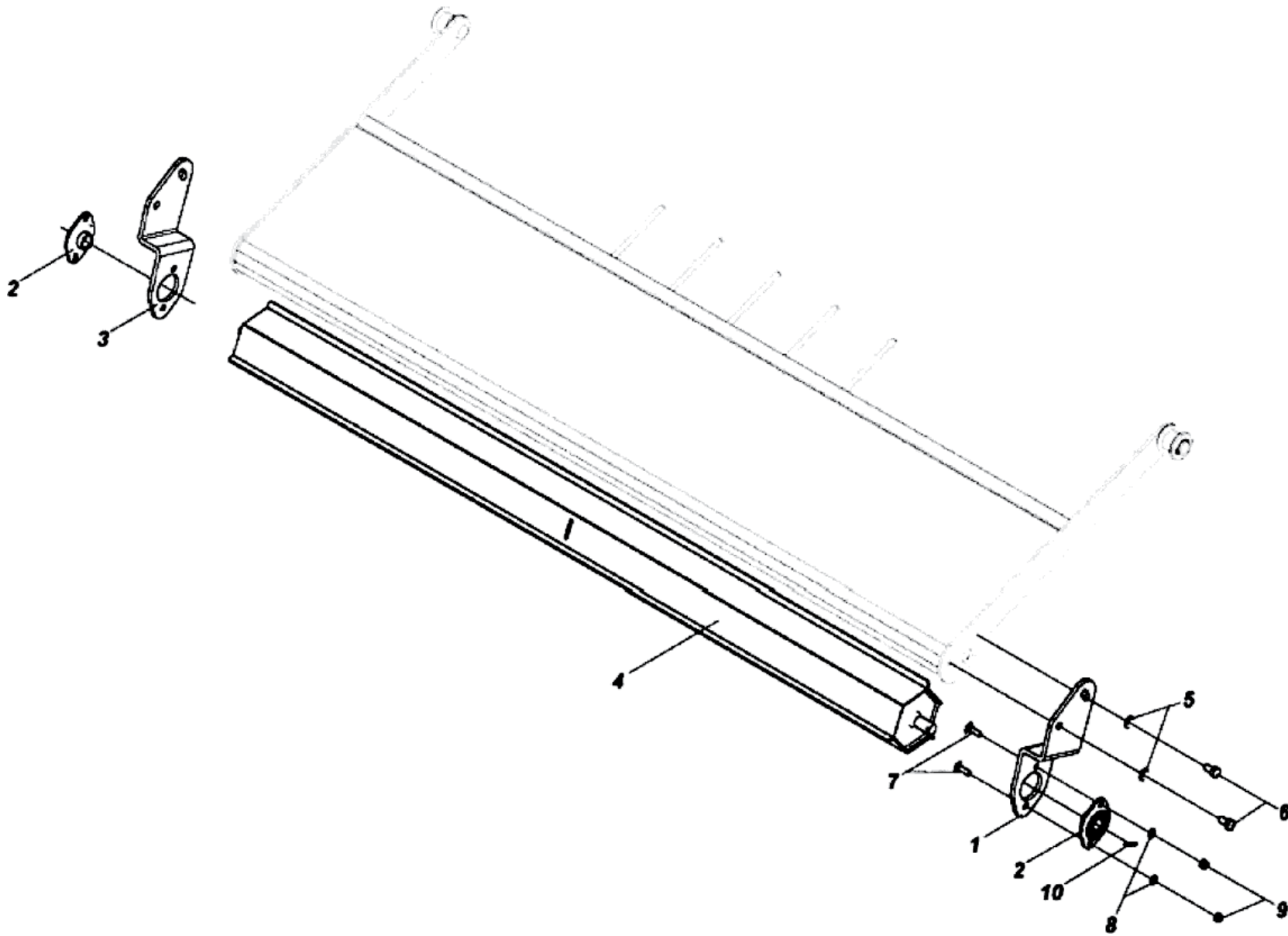
ITEM NO.	CODE	PART NAME	
43	0920514	SELF-RETAINING NUT, M14-5S PN 82175	
44	2047020	BEARING, 6014-2RS	
45	1300824	FLANGE	
46	1300823	WASHER, 30.5x92x8	
47	1300355	BUSH, 40x54x20	
51	H000259	COUPLING, M6x1	
52	H0P0029	LINE, 4 L180	



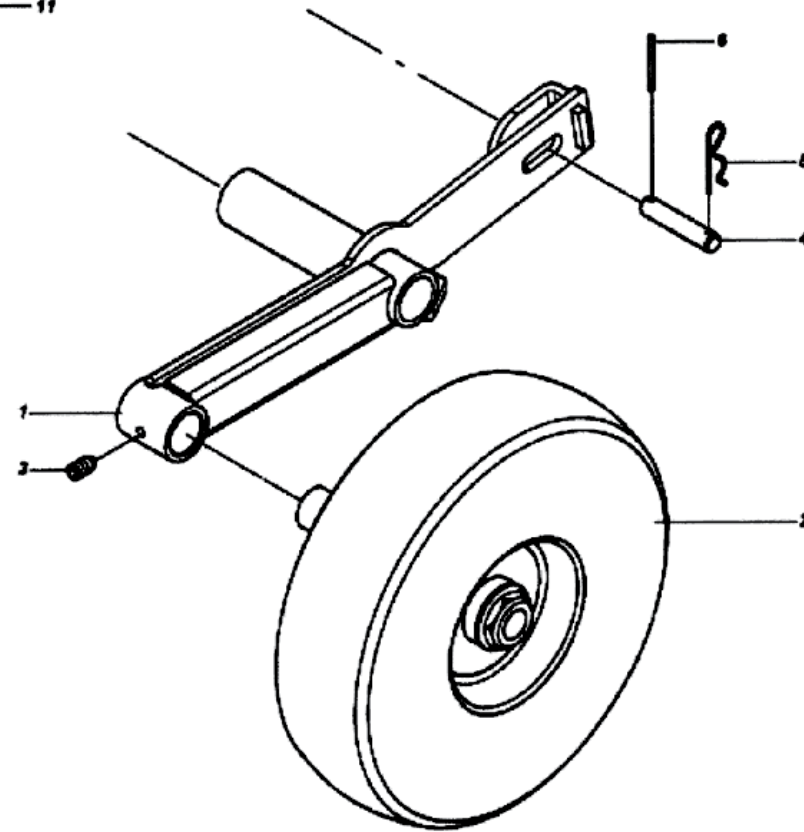
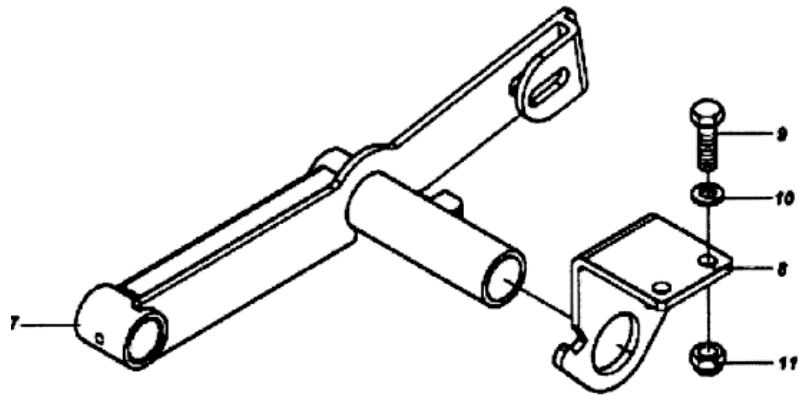
ITEM NO.	CODE	PART NAME	ITEM NO.	CODE	PART NAME
01	2700052	HUB	21	3400073	THREE-ROW CHAIN WHEEL, Z=13-3/4"x7/16"
02	1300960	HUB WASHER	22	1700025	SEGER RING, Z25 PN 85111
03	4200610	GREASE NIPPLE, M6x1	23	1300105	WASHER, 25.5 37 0.5
04	0401240	BOLT, M12x40 8.8 UNI 5931	23	1300106	WASHER, 25.5 37 1
05	4304966	SEALING RING, 55x85x10	24	2042512	BEARING, 6005-2RS
06	2335023	BEARING, 22210	25	1300106	WASHER, 25.5 37 1
07	1534318	WASHER, 80 90 0.2	25	1300105	WASHER, 25.5 37 0.5
08	1710090	SEGER RING, W90	26	7S00848	LOCATING PIN
09	4305668	SEALING RING, 65x90x10	27	0181280	BOLT, M12x80 8.8 PN 82105
10	7S01609	ROTOR WHEEL	28	0710412	NUT, M12-6S PN 82144
11	0851530	NUT, M30x2-6S	29	C002732	BRACKET
12	3600094	AXLE SHAFT, RIGHT HAND	30	0181635	BOLT, M16x35 8.8 PN 82105
13	2700051	BEARING ASSEMBLY	31	7S00869	STOCK
14	0181235	BOLT, M12x35 8.8 PN 82105	33	C002663	ROTOR DRIVE GUARD II
15	1421230	WASHER, 12	34	0181225	BOLT, M12x25 8.8 PN 82105
16	1300151	WASHER, 40 48 2	35	1421230	WASHER, 12
16	1300150	WASHER, 40 48 1.5	36	0920412	SELF-RETAINING NUT, M12-5S PN 82175
17	3400072	THREE-ROW CHAIN WHEEL, Z=13-3/4"x7/16"	37	7S01212	ROTOR DRIVE GUARD
18	1300150	WASHER, 40 48 1.5	38	0370001	BOLT, M8x16
18	1300151	WASHER, 40 48 2	39	1150560	COTTER PIN, 5x60 UNI 1336
19	1700040	SEGER RING, Z40-E PN 85111	40	1300355	BUSH, 40x54x20
20	30F0017	CONNECTOR, 12B-3 P/N	51	H000259	COUPLING, M6x1
20	30F1117	CHAIN, 12B-3 117M	52	H0P0029	LINE, 4 L180



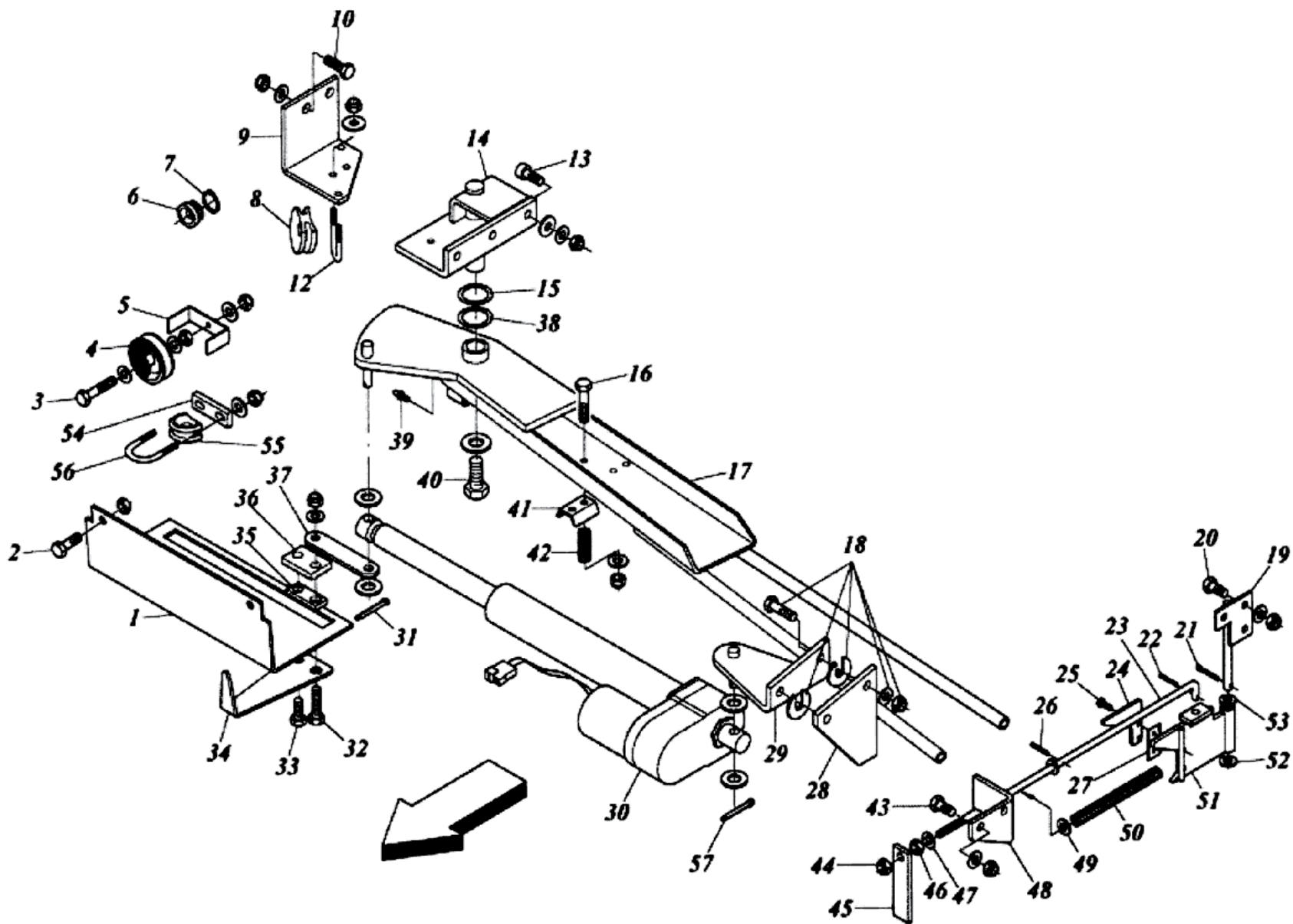
ITEM NO.	CODE	PART NAME	ITEM NO.	CODE	PART NAME
02	7SP0195	PRIMARY AXLE	27	1301126	WASHER
03	C001521	CLAMPING RING	28	1110650	RAWLPLUG, 6x50 DIN 1481
05	0181025	BOLT, M10x25 8.8 PN 82105	29	25P0010	BUSH
06	08B0310	SELF-RETAINING NUT, M10 KL8	30	1300100	WASHER, 30.3 40 0.5
08	0181020	BOLT, M8x20 8.8 PN 82105	31	1300101	WASHER, 30.3 40 1
09	1421025	WASHER, 10			
11	7S01561	RACEWAY			
12	2353030	DISC			
13	0181020	BOLT, M10x20 8.8 PN 82105			
14	1421025	WASHER, 10			
15	0181225	BOLT, M12x25 8.8 PN 82105			
16	1523831	WASHER, 12 33 5			
17	1110645	RAWLPLUG, 6x45 DIN 1481			
18	7S00991	PIN AXIS, 200			
18	7S01225	PIN AXIS, 220			
19	20R1210	ROLLER, SKF 361201 R			
20	1700012	SEGER RING, Z12 PN 85111			
21	18P0003	PICKUP PIN			
22	C000214	PIN BRACKET			
23	0170850	BOLT, M8x50 10.9 PN 82101			
24	1430820	WASHER, 8x24			
25	0910208	SELF-RETAINING NUT, M8-8G DIN 982			
26	2353035	DISC			



ITEM NO.	CODE	PART NAME	
01	C4P0187	BRACKET, LEFT-HAND	
02	2341020	BEARING ASSEMBLY	
03	C4P0188	BRACKET, RIGHT-HAND	
04	7SP0342	ROLLER	
05	1431020	WASHER, 10x30	
06	0181020	BOLT, M10x20 8.8 PN 82105	
07	0320825	BOLT, M8x25 4.6 DIN 603	
08	1420820	WASHER, 8	
09	0920208	SELF-RETAINING NUT, M8-5S PN 82175	
10	1110430	RAWLPLUG, 4x30 "SS" DIN 1481	

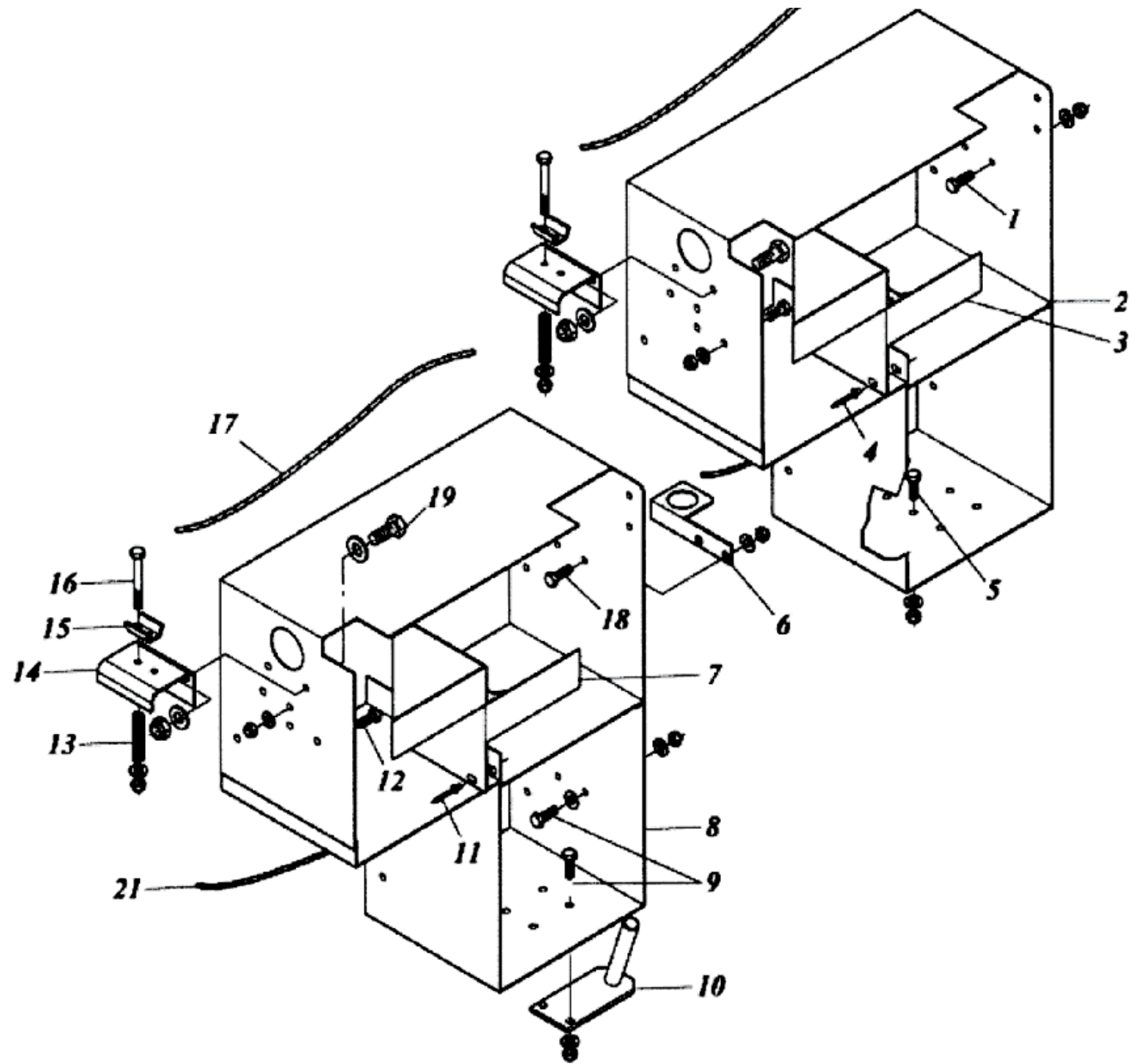


ITEM NO.	CODE	PART NAME	
01	7SP0084	WHEEL CONSOLE, LEFT-HAND	
02	7100040	RUBBER WHEEL	
03	0431016	BOLT, M10x16 12.9 UNI 5923	
04	1300610	PIN, 15x65	
05	1170377	SPRING COTTER PIN, 3	
06	1110440	RAWLPLUG, 4x40 DIN 1481	
07	7SP0085	WHEEL CONSOLE, RIGHT-HAND	
08	C6P0426	WHEEL HOLDER	
09	0181235	BOLT, M12x35 8.8 PN 82105	
10	0920412	SELF-RETAINING NUT, M12-SS PN 82175	
11	1421230	WASHER, 12	



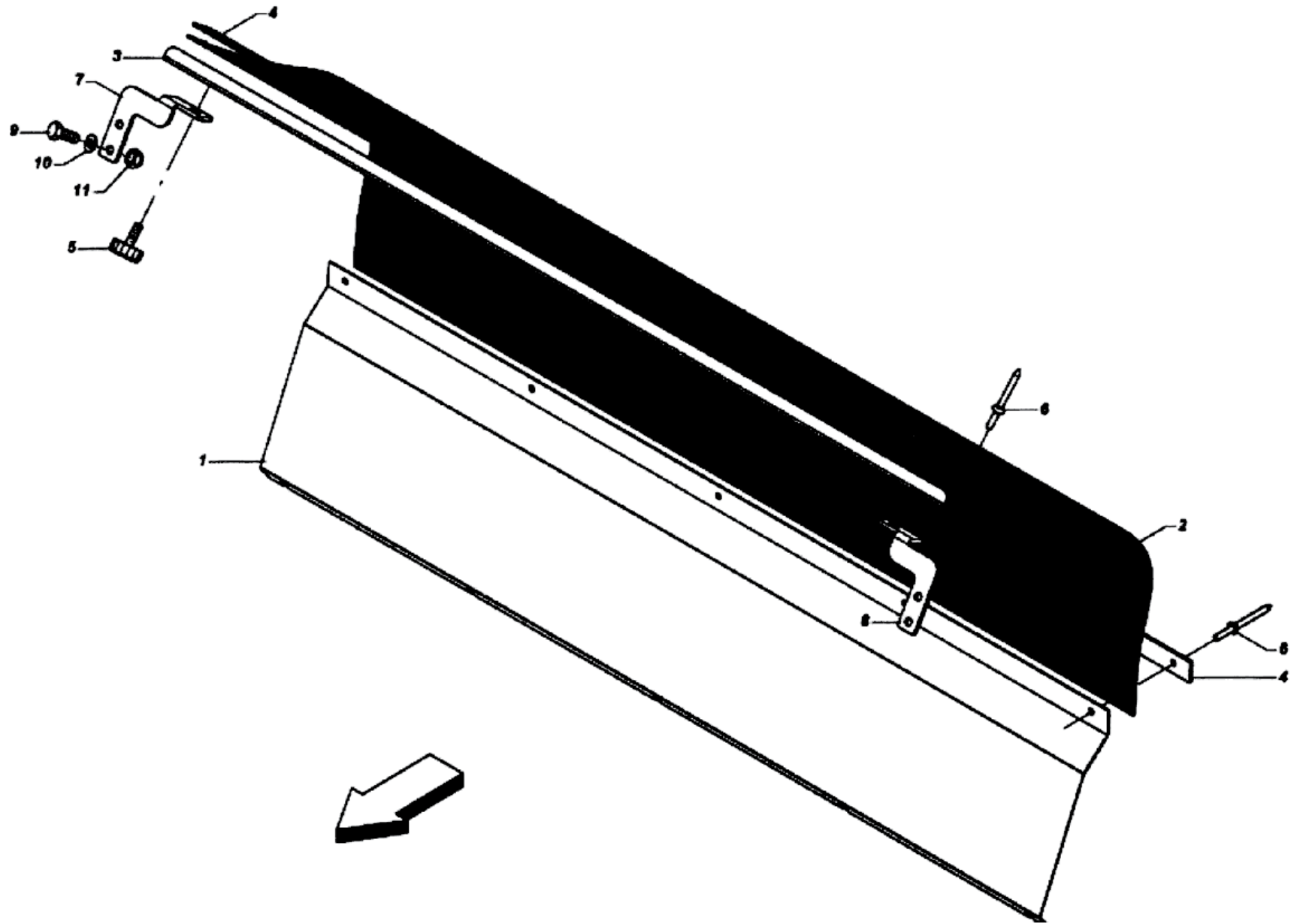
ITEM NO.	CODE	PART NAME	ITEM NO.	CODE	PART NAME
01	C003181	BRACKET	16	0190840	BOLT, M8x40 8.8 PN 82101
02	0181025	BOLT, M10x25 8.8 PN 82105	16	0920208	SELF-RETAINING NUT, M8-5S PN 82175
02	0545790	SELF-RETAINING NUT, M10-5S PN 82175	16	1420820	WASHER, 8
03	0180640	BOLT, M9x40 8.8 PN 82105	17	7S00990	GUIDING ARM
03	0710106	NUT, M6-6S PN 82144	18	1516039	WASHER, 15 42 0.8
03	0920106	SELF-RETAINING NUT, M6-5S PN 82175	18	1421230	WASHER, 12
03	1420615	WASHER, 6	18	0920412	SELF-RETAINING NUT, M12-5S PN 82175
04	3730455	PULLEY	18	0191250	BOLT, M12x50 8.8 PN 82101
05	C230438	CLAMPING RING	19	7S00987	BLADE BASE
06	3500097	BUSH	20	1420820	WASHER, 8
07	1700025	SEGER RING, Z25 PN 85111	20	0920208	SELF-RETAINING NUT, M8-5S PN 82175
08	E428699	PORCELAIN GUIDE	20	0180820	BOLT, M8x20 8.8 PN 82105
09	C003117	GUIDE BRACKET	21	1110320	RAWLPLUG, 3x20 DIN 1481
10	0181230	BOLT, M12x30 8.8 PN 82105	22	1110325	RAWLPLUG, 3x25 DIN 1481
10	0920412	SELF-RETAINING NUT, M12-5S PN 82175	23	0500057	ADJUSTMENT SCREW
10	1421230	WASHER, 12	24	C002765	BLADE COVER PLATE
12	0920106	SELF-RETAINING NUT, M 6-5S PN 82175	25	0180516	BOLT, M5x16 8.8 PN 82105
12	1430620	WASHER, 6x18	26	1110325	RAWLPLUG, 3x25 DIN 1481
13	1421025	WASHER, 10	27	7U00011	BLADE
13	0545790	SELF-RETAINING NUT, M10-5S PN 82175	28	C003123	BRACKET
13	0401040	BOLT, M10x40 8.8 UNI 5931	29	7S01476	ACTUATOR FIXING
14	7S00988	ARM BASE	30	E000066	ACTUATOR
15	1300135	WASHER, 28 44 0.5	31	1150425	COTTER PIN, 4x25 UNI 1336

ITEM NO.	CODE	PART NAME	ITEM NO.	CODE	PART NAME
31	1421230	WASHER, 12	49	1420820	WASHER, 8
32	0920412	SELF-RETAINING NUT, M12-5S PN 82175	50	1800036	SPRING, C FILO01 L=203.5
32	1421230	WASHER, 12	51	7S00986	BLADE FRAME
32	0181240	BOLT, M12x40 8.8 PN 82105	52	1421025	WASHER, 10
33	0181225	BOLT, M12x25 8.8 PN 82105	53	1421025	WASHER, 10
34	C003118	INDICATOR	54	C633069	GUIDE WASHER
35	C003180	INDICATOR COVER PLATE I	55	E428699	PORCELAIN GUIDE
36	C003185	INDICATOR COVER PLATE II	56	0920106	SELF-RETAINING NUT, M6-5S PN 82175
37	C003119	ARM	56	1420615	WASHER, 6
38	1300136	WASHER, 28 44 1	56	C228700	GUIDE CLAMPING RING
39	4200610	GREASE NIPPLE, M6x1	57	1150425	COTTER PIN, 4x25 UNI 1336
40	1519319	WASHER, 16x38x5	57	1421230	WASHER, 12
40	0181630	BOLT, M16x30 8.8 PN 82105			
41	C630434	CORD PRESSURE CLAMP			
42	1821993	SPRING			
43	0181230	BOLT, M12x30 8.8 PN 82105			
43	1421230	WASHER, 12			
43	0920412	SELF-RETAINING NUT, M12-5S PN 82175			
44	0920208	SELF-RETAINING NUT, M8-5S PN 82175			
45	C003115	SHEET PANEL			
46	0710208	NUT, M8-6S PN 82144			
47	1420820	WASHER, 8			
48	C003116	SCREW BRACKET			

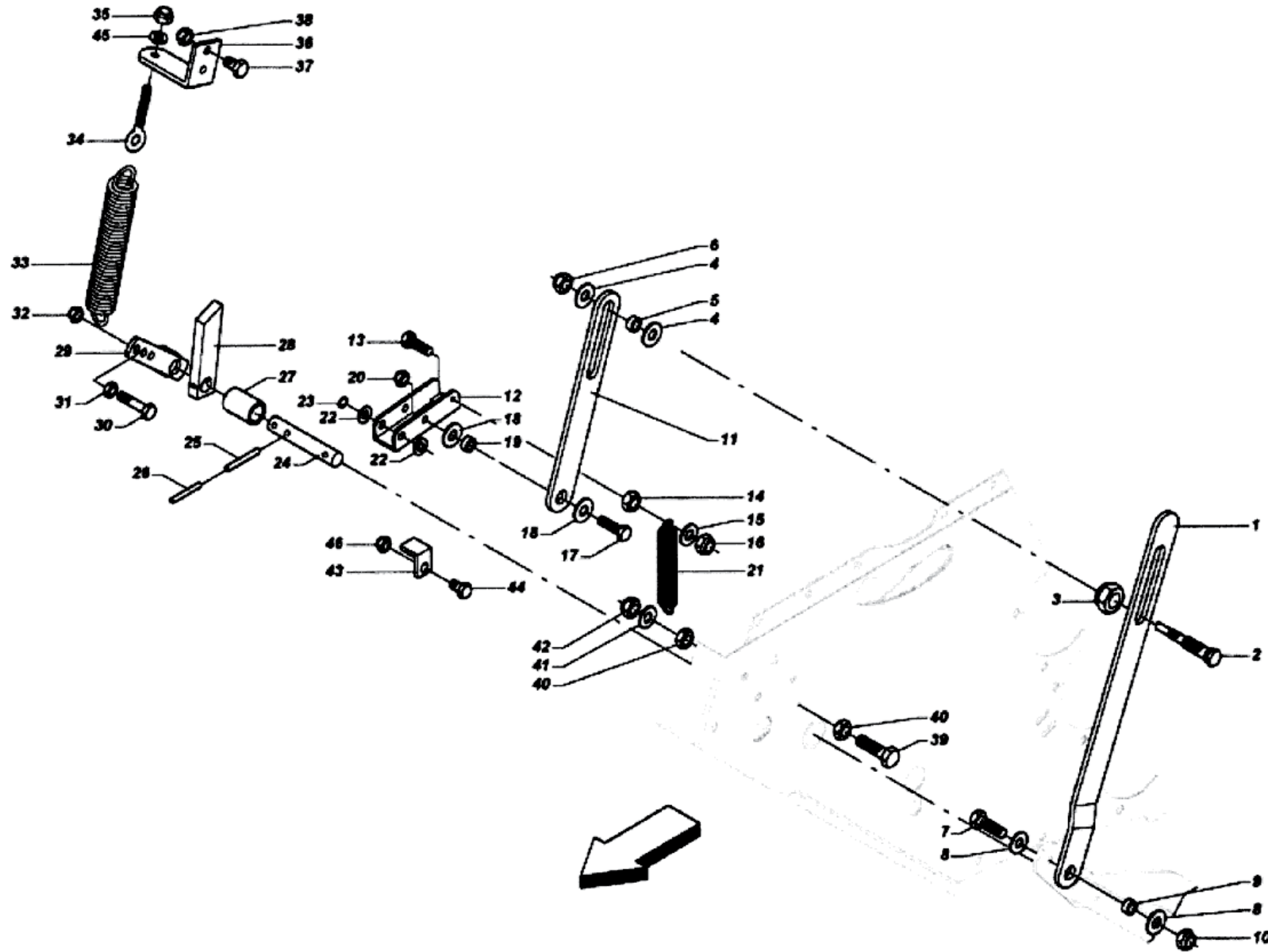


ITEM NO.	CODE	PART NAME	ITEM NO.	CODE	PART NAME
01	0180820	BOLT, M8x20 8.8 PN 82105	16	0190890	BOLT, M8x90 8.8 PN 82101
01	0920208	SELF-RETAINING NUT, M8-5S DIN 985	16	0920208	SELF-RETAINING NUT, M8-5S PN 82175
01	1420820	WASHER, 8	16	1420820	WASHER, 8
02	7S00661	CORD BOX	17	7V00068	CABLE, 6 - L=650
03	C003237	INSERT	18	0180820	BOLT, M8x20 8.8 PN 82105
04	1000009	RIVET, 4x8	18	0920208	SELF-RETAINING NUT, M8-5S PN 82175
05	0180820	BOLT, M8x20 8.8 PN 82105	18	1420820	WASHER, 8
05	0920208	SELF-RETAINING NUT, M8-5S PN 82175	19	0181020	BOLT, M8x20 8.8 PN 82105
05	1420820	WASHER, 8	19	0545790	SELF-RETAINING NUT, M10-5S PN 82175
06*	C003239	STOCK GRIP I	19	1421025	WASHER, 10
07	C003237	INSERT	21	7V00069	CABLE, 6 - L=350
08	7S00661	CORD BOX			
09	0180820	BOLT, M8x20 8.8 PN 82105			
09	0920208	SELF-RETAINING NUT, M8-5S PN 82175			
09	1420820	WASHER, 8			
10*	7S01032	STOCK GRIP II			
11	1000009	RIVET, 4x8			
12	1420820	WASHER, 8			
12	0920208	SELF-RETAINING NUT, M8-5S PN 82175			
12	0180820	BOLT, M8x20 8.8 PN 82105			
13	1812161	SPRING, C FILO01 L=68.5			
14	C531192	PRESSURE CLAMP BASE			
15	C627148	CORD PRESSURE CLAMP			

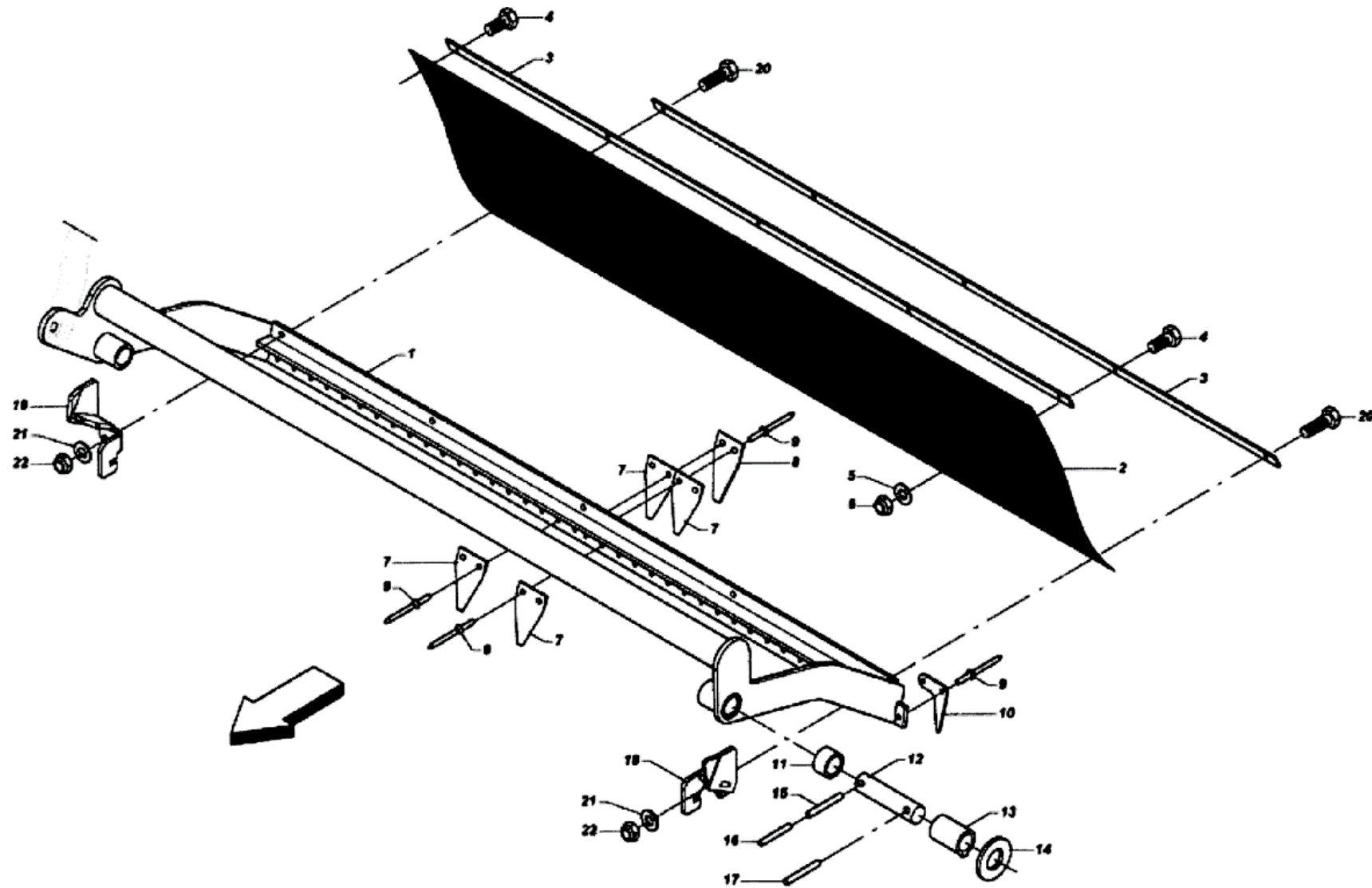
(*) Z589-2... ONLY



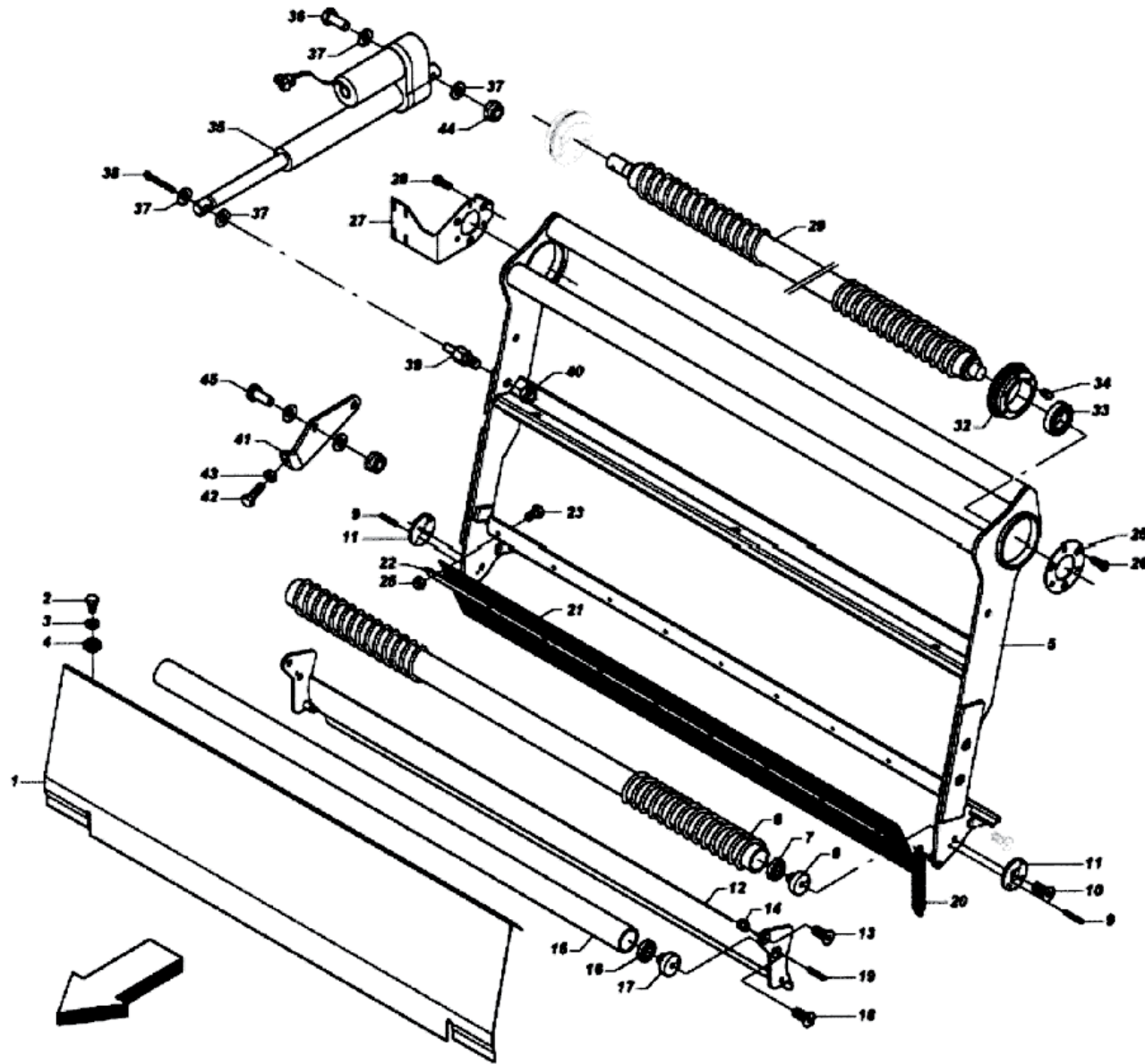
ITEM NO.	CODE	PART NAME	
01	C2P0030	FEEDER GUARD	
02	7V00062	RUBBER GUARD	
03	C2P0029	GUARD BASE PLATE	
04	C002398	COVER PLATE	
05	7V00106	KNOB, M8x15	
06	1000011	RIVET, 6x15	
07	C6P0061	BRACKET, RIGHT-HAND	
08	C6P0062	BRACKET, LEFT-HAND	
09	0181240	BOLT, M12x40 8.8 PN 82105	
10	1421230	WASHER, 12	
11	0920412	SELF-RETAINING NUT, M12-5S PN 82175	



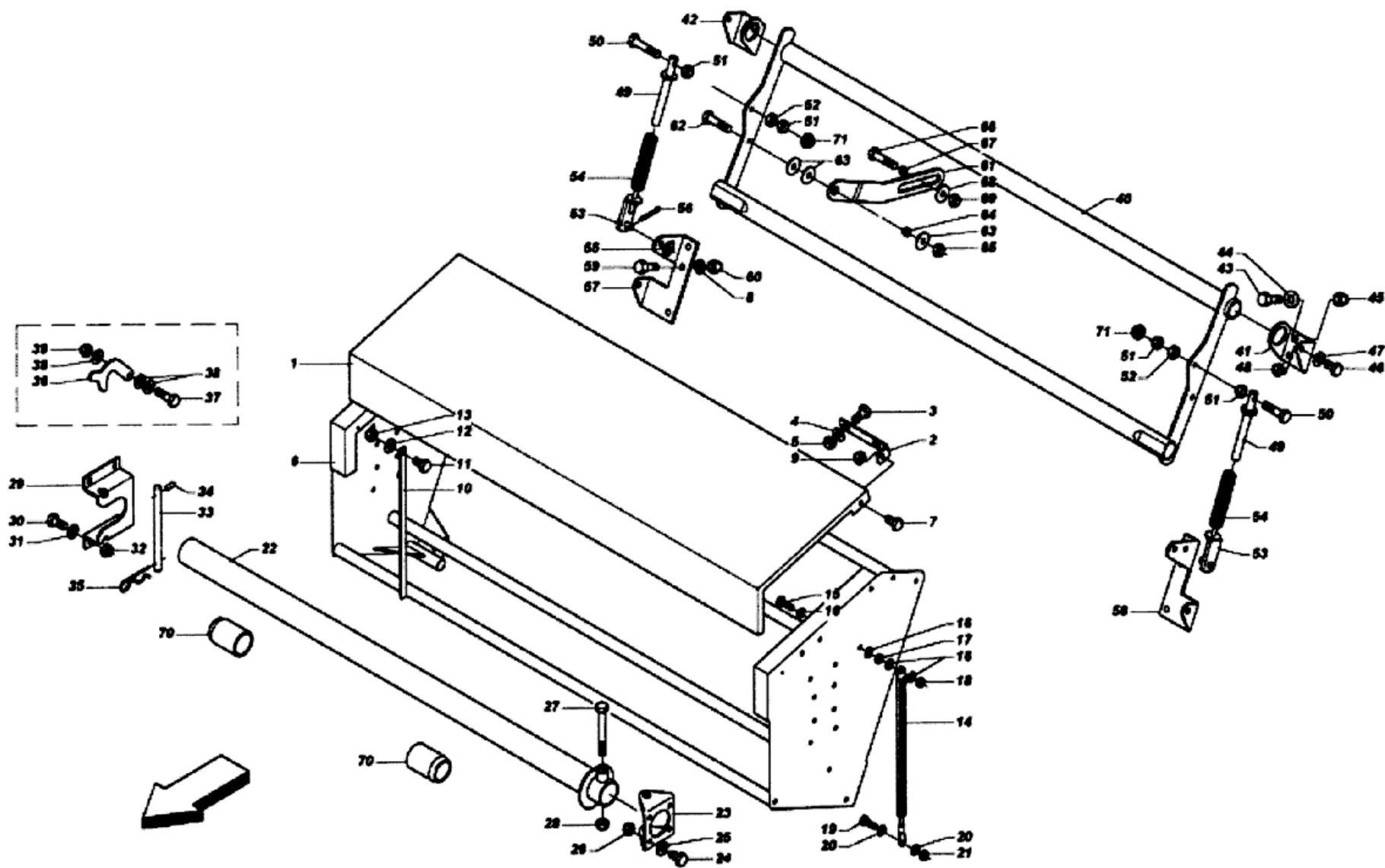
ITEM NO.	CODE	PART NAME	ITEM NO.	CODE	PART NAME
01	C002043	ARM, LEFT-HAND	24	1300381	PIN
02	1300402	SCREW	25	1110540	RAWLPLUG, 5x40 DIN 1481
03	0920516	SELF-RETAINING NUT, M16-5S PN 82175	26	1110840	RAWLPLUG, 8x40 DIN 1481
04	1431225	WASHER, 12x36	27	2526852	BUSH
05	1300463	BUSH, 12.5x20x10	28	C002073	PAWL
06	0920412	SELF-RETAINING NUT, M12-5S PN 82175	29	7S00651	SPRING CATCH
07	0181235	BOLT, M12x35 8.8 PN 82105	30	0191250	BOLT, M12x50 8.8 PN 82101
08	1431225	WASHER, 12x36	31	0710412	NUT, M12-6S PN 82144
09	1300463	BUSH, 12.5x20x10	32	0920412	SELF-RETAINING NUT, M12-5S PN 82175
10	0920412	SELF-RETAINING NUT, M12-5S PN 82175	33	1822744	SPRING
11	C002081	RELEASE LEVER	34	0545168	EYE BOLT, M12
12	C002075	SHEET PANEL	35	0920412	SELF-RETAINING NUT, M12-5S PN 82175
13	0180830	BOLT, M8x30 8.8 PN 82105	36	C002042	SCREW BRACKET
14	0710208	NUT, M8-6S PN 82144	37	0181225	BOLT, M12x25 8.8 PN 82105
15	1420820	WASHER, 8	38	0920412	SELF-RETAINING NUT, M12-5S PN 82175
16	0920208	SELF-RETAINING NUT, M8-5S PN 82175	39	0180830	BOLT, M8x30 8.8 PN 82105
17	0181235	BOLT, M12x35 8.8 PN 82105	40	0710208	NUT, M8-6S PN 82144
18	1431225	WASHER, 12x36	41	1420820	WASHER, 8
19	1300463	BUSH, 12.5x20x10	42	0920208	SELF-RETAINING NUT, M8-5S PN 82175
20	0920412	SELF-RETAINING NUT, M12-5S PN 82175	43	C000053	BLADE STOP
21	1800025	SPRING, 2 13 98T	44	0181030	BOLT, M10x30 8.8 PN 82105
22	1421430	WASHER, 14	45	1421025	WASHER, 10
23	1700015	SEGER RING, Z15 PN 85111	46	0545790	SELF-RETAINING NUT, M10-5S PN 82175



ITEM NO.	CODE	PART NAME	
01	7SP0279	BLADE FRAME	
02	7VP0010	CAP	
03	C002398	COVER PLATE	
04	0180620	BOLT, M6x20 8.8 PN 82105	
05	1420615	WASHER, 6	
06	0920106	SELF-RETAINING NUT, M 6-5S PN 82175	
07	7U00012	BLADE	
08	C6P0334	REAR BLADE	
09	1000013	RIVET, 6x18	
10	C6P0050	END BLADE	
11	13C0012	BUSH, 25.5x33.7x20	
12	1300390	PIN	
13	2526852	BUSH	
14	1522663	WASHER, 25 45 3	
15	1110540	RAWLPLUG, 5x40 DIN 1481	
16	1110840	RAWLPLUG, 8x40 DIN 1481	
17	1110840	RAWLPLUG, 8x40 DIN 1481	
18	7SP0245	STOP, LEFT-HAND	
19	7SP0246	STOP, RIGHT-HAND	
20	0180630	BOLT, M6x30 8.8 PN 82105	
21	1420615	WASHER, 6	
22	0920106	SELF-RETAINING NUT, M6-5S PN 82175	

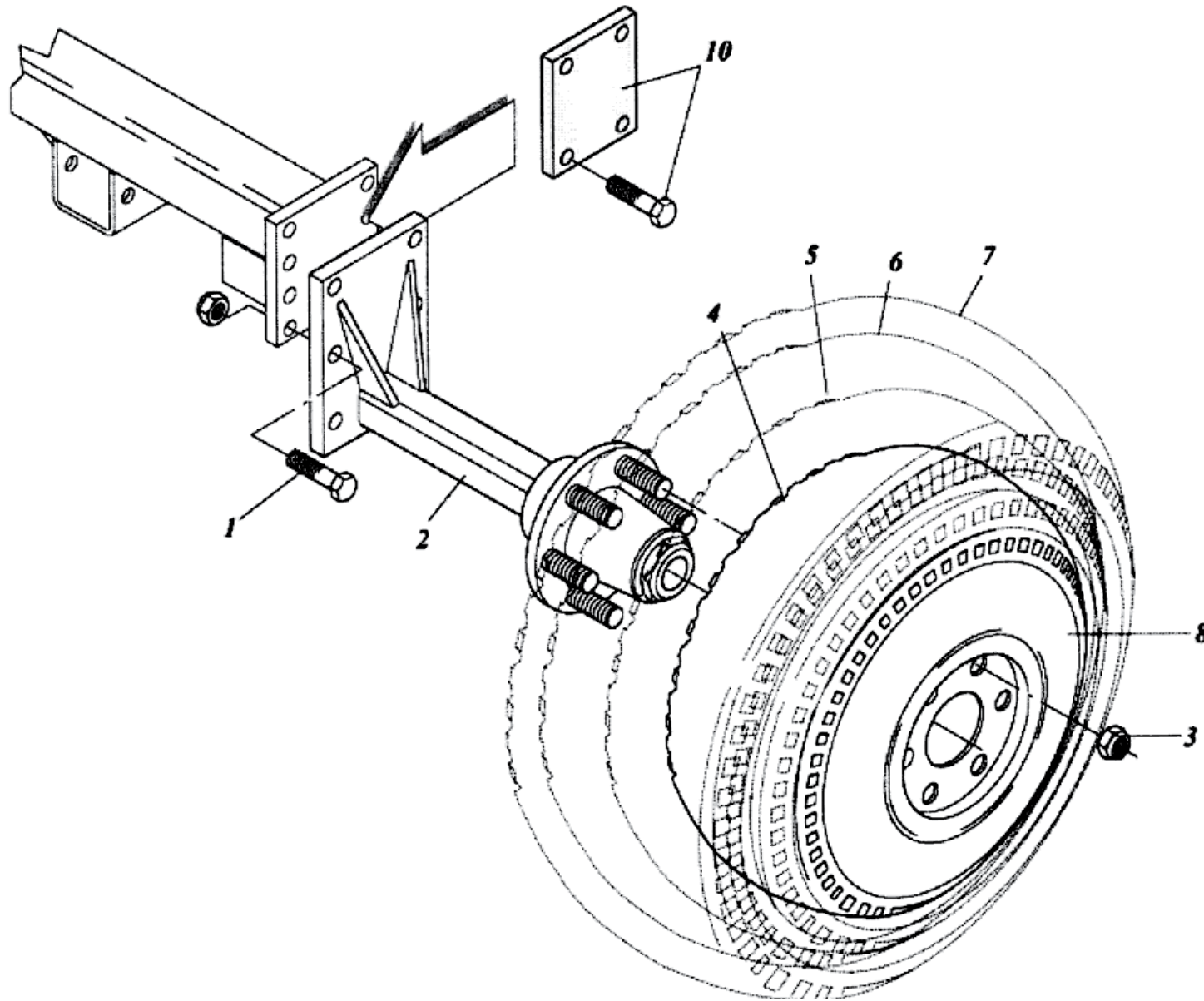


ITEM NO.	CODE	PART NAME	ITEM NO.	CODE	PART NAME
01	C3P0035	FEEDER GUARD	25	1300389	BUSH
02	0180815	BOLT, M8x15 8.8 PN 82105	26	0400825	BOLT, M8x25 8.8 UNI 5931
03	1420820	WASHER, 8	27	C002076	COVER PLATE
04	0990003	NUT, M8x1.25	28	0400825	BOLT, M8x25 8.8 UNI 5931
05	7SP0090	FRAME	29	7S00649	SPREADING ROLLER II
06	7S00648	SPREADING ROLLER I	31	0710005	NUT, M5-6S PN 82144
07	2301716	BEARING, 2203	32	2700044	ROLLER FLANGE
08	35P0008	PIN	33	2042517	BEARING, 6305-2RS
09	1110520	RAWLPLUG, 5x20 DIN 1481	34	4200820	GREASE NIPPLE, M8x1.25
10	0441025	BOLT, M10x25 10.9 UNI 59	35	E000045	ACTUATOR, TOLLO D13-05B5-06-111
11	13P0128	WASHER	36	0191270	BOLT, M12x70 8.8 PN 82101
12	7SP0286	FRAME	37	1421230	WASHER, 12
13	0441020	BOLT, M10x20 10.9 UNI 5933	38	1150330	COTTER PIN, 3x30 UNI 1336
14	1300401	TAPPED BUSH	39	3500063	ADJUSTMENT SCREW
15	7SP0100	PLAIN ROLLER	40	0920516	SELF-RETAINING NUT, M16-5S PN 82175
16	2301716	BEARING, 2203	41	C4P0009	ARM
17	35P0008	PIN	42	0181250	BOLT, M12x50 8.8 PN 82105
18	0441020	BOLT, M10x20 10.9 DIN 7991	43	0710412	NUT, M12-6S PN 82144
19	1110612	RAWLPLUG, 6x12 DIN 1481	44	0920412	SELF-RETAINING NUT, M12-5S PN 82175
20	1800025	SPRING, 2 13 98T	45	0471025	BOLT, M10x25 8.8
21	7VP0001	CAP	45	0545790	SELF-RETAINING NUT, M10-5S PN 82175
22	C2P0020	COVER PLATE	45	1421025	WASHER, 10
23	0180620	BOLT, M6x20 8.8 PN 82105			
24	0920106	SELF-RETAINING NUT, M 6-5S PN 82175			

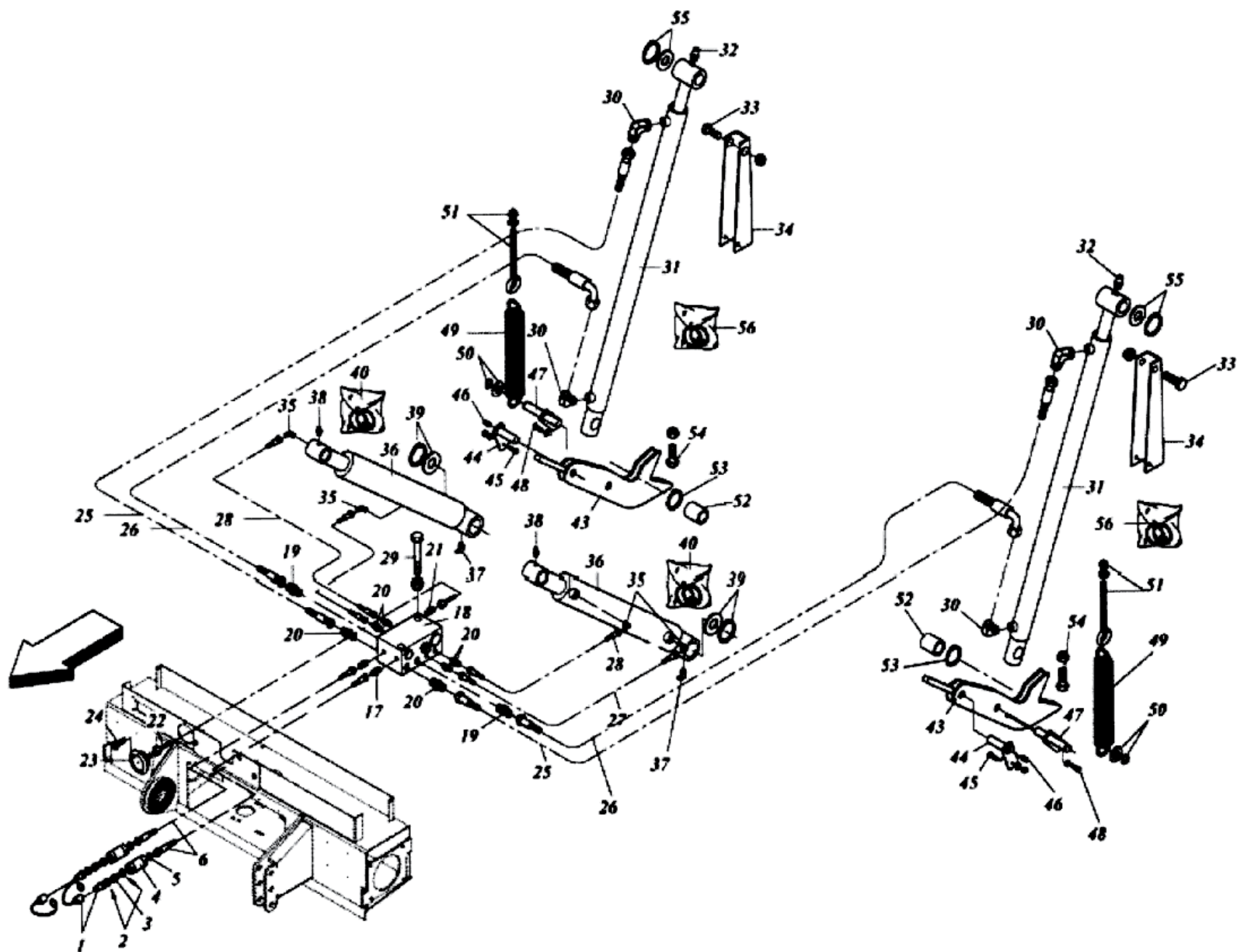


ITEM NO.	CODE	PART NAME	ITEM NO.	CODE	PART NAME
01	7S00654	BIN COVER	24	0181025	BOLT, M10x25 8.8 PN 82105
02	C000547	SHEET PANEL	25	1421025	WASHER, 10
03	0181020	BOLT, M8x20 8.8 PN 82105	26	0545790	SELF-RETAINING NUT, M10-5S DIN 985
04	1421025	WASHER, 10	27	0191694	BOLT, M16x130 8.8 PN 82101
05	0545790	SELF-RETAINING NUT, M10-5S PN 82175	28	0920516	SELF-RETAINING NUT, M16-5S PN 82175
06	7S00631	BIN FRAME	29	C002002	PIPE MOUNT
07	0181025	BOLT, M10x25 8.8 PN 82105	30	0181025	BOLT, M10x25 8.8 PN 82105
08	1421025	WASHER, 10	31	1421025	WASHER, 10
09	0545790	SELF-RETAINING NUT, M10-5S PN 82175	32	0545790	SELF-RETAINING NUT, M10-5S PN 82175
10	C002006	SUPPORT FOOT	33	1300373	PIN
11	0180620	BOLT, M6x20 8.8 PN 82105	34	1110435	RAWLPLUG, 4x35 DIN 1481
12	1420615	WASHER, 6	35	1170377	SPRING COTTER PIN, 3
13	0920106	SELF-RETAINING NUT, M 6-5S PN 82175	36	C002054	HOOK
14	H100001	GAS SPRING, L=500-600N	37	0181025	BOLT, M10x25 8.8 PN 82105
15	0180840	BOLT, M8x40 8.8 PN 82105	38	1421025	WASHER, 10
16	1420820	WASHER, 8	39	0545790	SELF-RETAINING NUT, M10-5S PN 82175
17	0710208	NUT, M8-6S PN 82144	40	7S01392	NET BRAKE ASSEMBLY
18	0920208	SELF-RETAINING NUT, M8-5S PN 82175	41	C002046	HINGE, LEFT-HAND
19	0180830	BOLT, M8x30 8.8 PN 82105	42	C002045	HINGE, RIGHT-HAND
20	1420820	WASHER, 8	43	0181230	BOLT, TE M12x30 8.8 PN 82105
21	0920208	SELF-RETAINING NUT, M8-5S PN 82175	44	1421230	WASHER, 12
22	7SP0240	TUBE	45	0920412	SELF-RETAINING NUT, M12-5S PN 82175
23	C002001	HINGE	46	0181030	BOLT, M10x30 8.8 PN 82105

ITEM NO.	CODE	PART NAME	ITEM NO.	CODE	PART NAME
47	1421230	WASHER, 12	70	25P0011	BUSH
48	0920412	SELF-RETAINING NUT, M12-5S PN 82175	71	7VC0016	COVER
49	7S00634	BRAKE ROD			
50	0181280	BOLT, M12x80 8.8 PN 82105			
51	0920412	SELF-RETAINING NUT, M12-5S PN 82175			
52	0710412	NUT, M12-6S PN 82144			
53	7S00633	LUG			
54	1800046	SPRING, 6 30 180C			
55	1421230	WASHER, 12			
56	1150330	COTTER PIN, 3x30 UNI 1336			
57	C000049	BRACKET, RIGHT-HAND			
58	C000048	BRACKET, LEFT-HAND			
59	0181030	BOLT, M10x30 8.8 PN 82105			
60	0545790	SELF-RETAINING NUT, M10-5S PN 82175			
61	C002067	ARM			
62	0191240	BOLT, M12x40 8.8 PN 82101			
63	1431225	WASHER, 12x36			
64	1300463	BUSH, 12.5x20x10			
65	0920412	SELF-RETAINING NUT, M12-5S PN 82175			
66	0181235	BOLT, M12x35 8.8 PN 82105			
67	1300463	BUSH, 12.5x20x10			
68	1431225	WASHER, 12x36			
69	0920412	SELF-RETAINING NUT, M12-5S PN 82175			

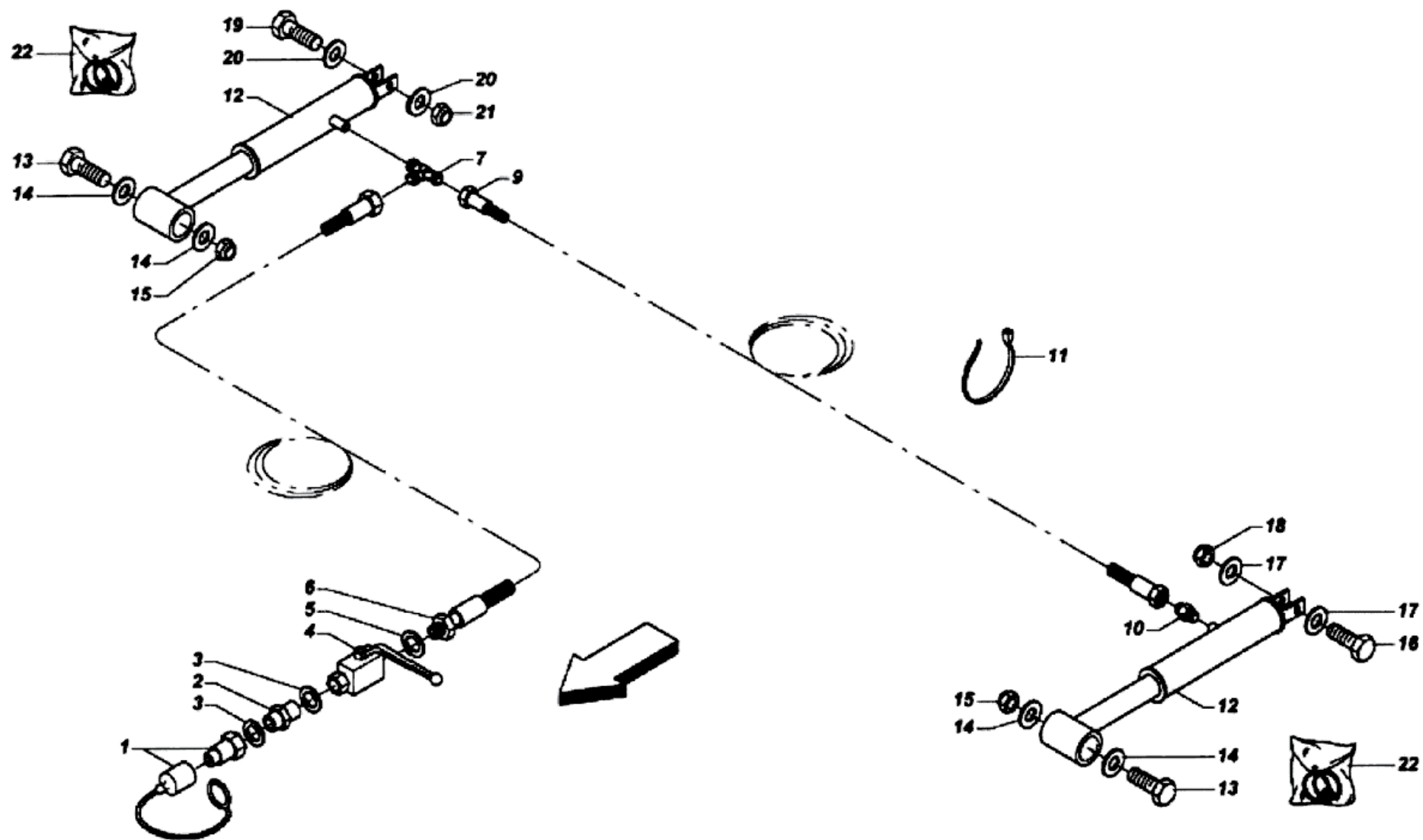


ITEM NO.	CODE	PART NAME	
01	0192070	BOLT, M20x70 8.8 PN 82101	
01	0920620	SELF-RETAINING NUT, M20-5S PN 82175	
02	7100026	AXLE SHAFT	
03	0821318	WHEEL NUT, M18x1.5	
04	7100013	WHEEL, COMPLETE, 11.5/80-15.3 6F/P	NOT AVAILABLE
05	7100022	WHEEL, COMPLETE, 400-15-5 6F/P 14PR	
06	7100039	WHEEL, COMPLETE, 500/55-20 6F/P 12PR	NOT AVAILABLE
07	7100041	WHEEL, COMPLETE, 19.0/45-17 6F/P 10PR	NOT AVAILABLE
08	71P0008	WHEEL, COMPLETE, 380/55-17 10PR TL	NOT AVAILABLE
10	0192090	BOLT, M20x90 8.8 PN 82101	
10	C003765	PLATE	

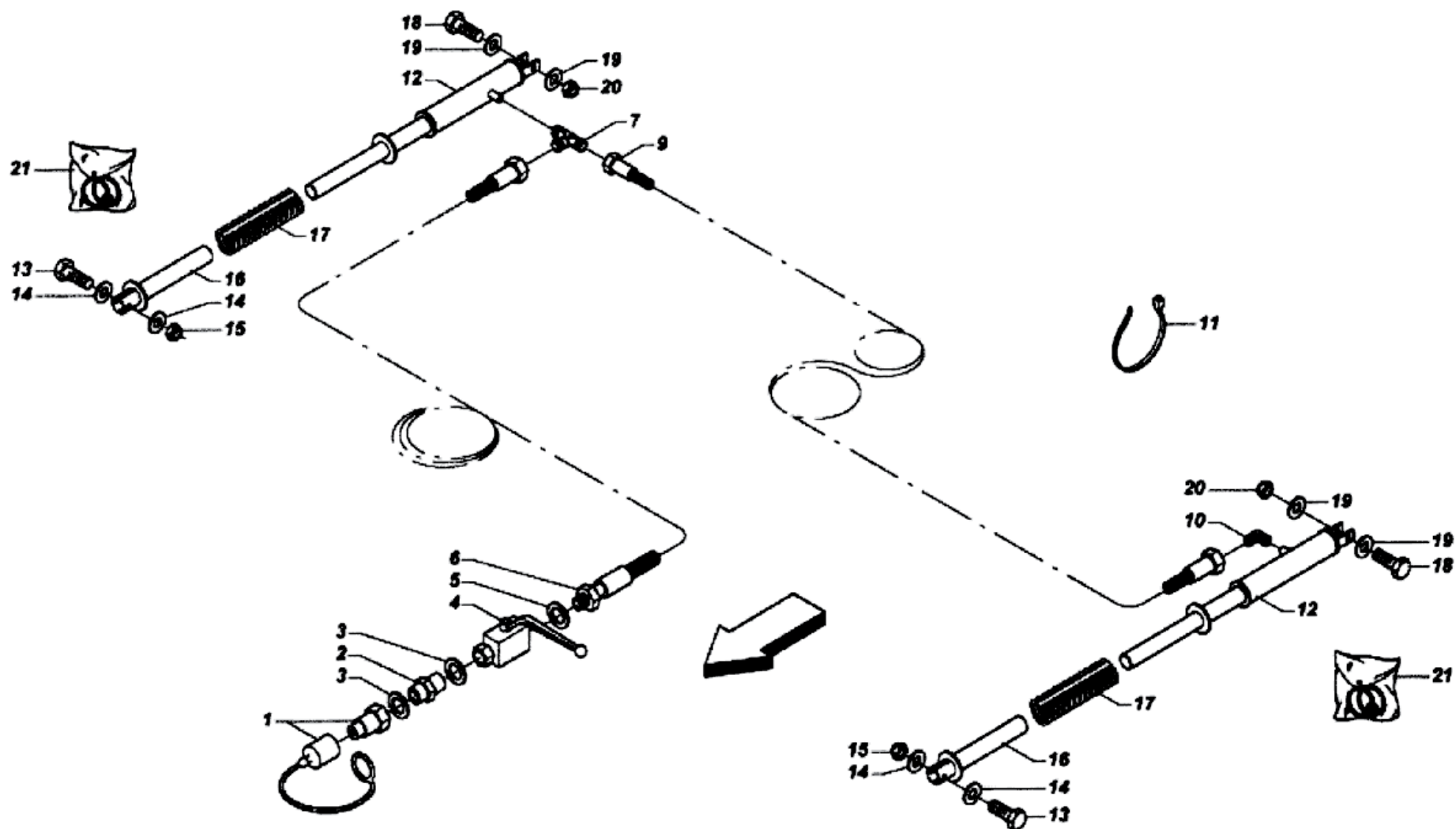


ITEM NO.	CODE	PART NAME	ITEM NO.	CODE	PART NAME
01	H6000A0	EURO PLUG + CAP	30	H000009	ELBOW
02	1442015	WASHER, 1/2" (21x27x1.5)	31	H400089	FLAP ACTUATOR
03	H6000AX	CONNECTOR, 1/2"	32	4200610	GREASE NIPPLE, M6x1
04	H000040	FILTER, IL12/60 R 94001261O	33	0190865	BOLT, M8x65 8.8 PN 82101
05	1442015	WASHER, 1/2" (21x27x1.5) AL/OT	33	0920208	SELF-RETAINING NUT, M8-5S PN 82175
06	H000149	HYDRAULIC LINE, L=2500	34	7S01080	LOCK
17	H60000Y	STUD COUPLING	35	H000009	ELBOW COUPLING
18	H000004	VALVE	36	H400087	CONTROL ARM ACTUATOR
19	0500070	CHOKER	37	4220610	GREASE NIPPLE, M6x1, 90°
19	1441415	WASHER, 1/4" (13x19x1.5)	38	4200610	GREASE NIPPLE, M6x1
19	H000182	REDUCER COUPLING	39	1519696	WASHER, 35 50 1
20	H000139	STUD COUPLING	39	1700035	SEGER RING, Z35-E PN 85111
21	H000140	COUPLING, 1/4-1/4	40	4933201	SEALING KIT
22	H000120	PRESSURE GAUGE LINE	43	7S00930	FLAP HOOK
23	H000121	PRESSURE GAUGE	44	7S00937	PIN
24	1080311	RIVET, 3x11	45	0180825	BOLT, M8x25 8.8 PN 82105
25	H000008	HYDRAULIC LINE (NEUTRAL), L=2550 W64601	45	0920208	SELF-RETAINING NUT, M8-5S PN 82175
26	H000005	HYDRAULIC LINE (RED), L=2150 W64599	46	4200610	GREASE NIPPLE, M6x1
27	H000007	HYDRAULIC LINE (YELLOW), L=2500	47	7S01051	PIN
28	H000006	HYDRAULIC LINE (BLUE), L=2500 W64833	48	0920208	SELF-RETAINING NUT, M8-5S PN 82175
29	1430620	WASHER, 6x18	48	0180825	BOLT, M8x25 8.8 PN 82105
29	0920106	SELF-RETAINING NUT, M 6-5S PN 82175	49	1826161	SPRING
29	0190690	BOLT, M6x90 8.8 PN 82101	50	1422035	WASHER, 20

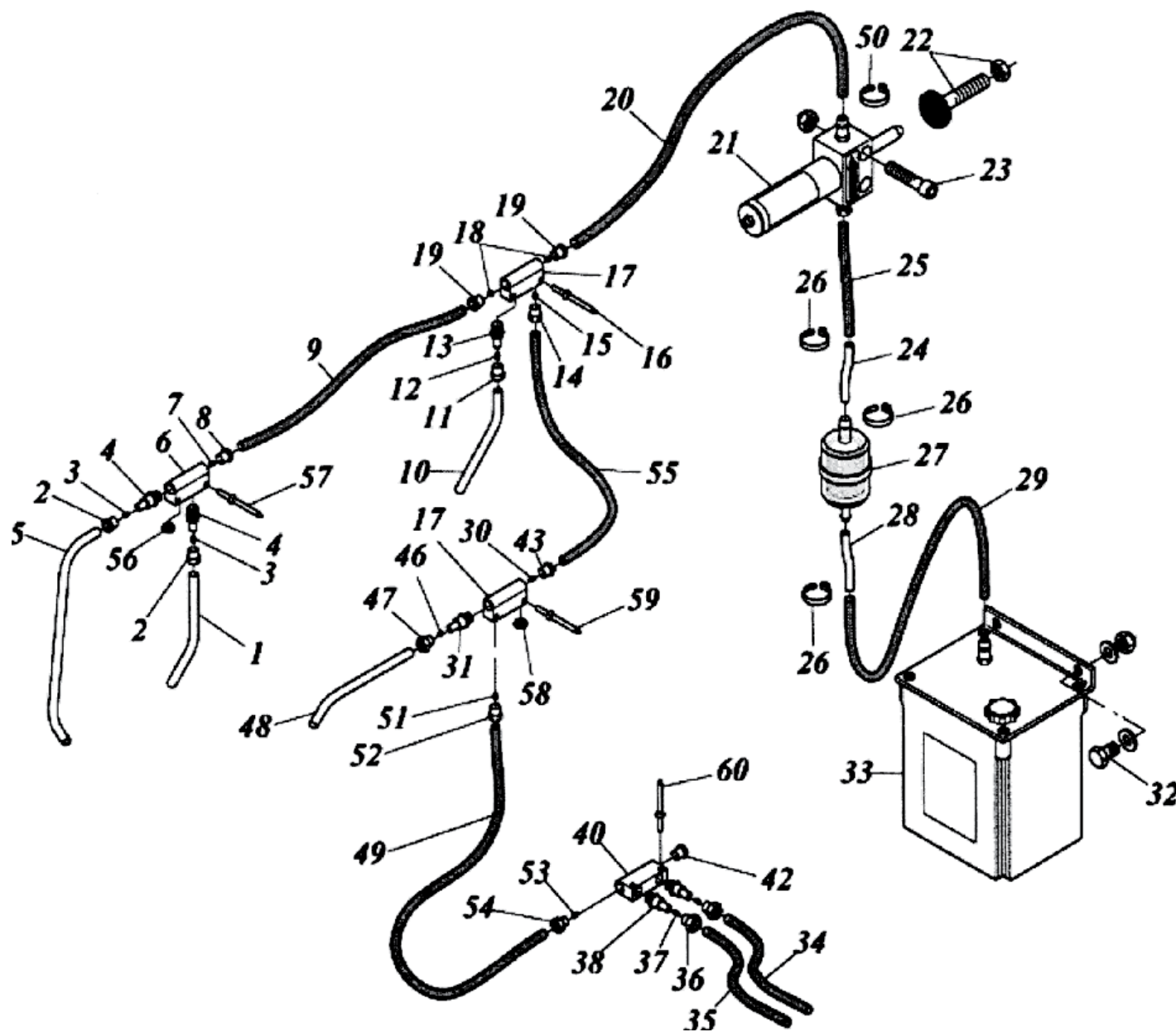
ITEM NO.	CODE	PART NAME	
50	1700020	SEGER RING, Z20-E PN 85111	
51	0545168	EYE BOLT, M12	
51	0920412	SELF-RETAINING NUT, M12-5S PN 82175	
51	1421230	WASHER, 12	
52	1300612	BUSH, 30.5x42x45	
53	1700030	SEGER RING, Z30-E PN 85111	
54	0181670	BOLT, M16x70 8.8 PN 82105	
54	0710516	NUT, M16-6S PN 82144	
55	1300100	WASHER, 30.3 40 0.5	
55	1300101	WASHER, 30.3 40 1	
56	H400060	SEALING KIT	



ITEM NO.	CODE	PART NAME	
01	H6000A0	EURO PLUG + CAP	
02	H733671	REDUCER COUPLING, 1MM, L/2'-L/4'	
03	1441415	WASHER, 1/4" (13x19x1.5)	
04	H000119	BALL VALVE, 1/4"	
05	1442015	WASHER, 1/2" (21x27x1.5)	
06	H000250	HYDRAULIC LINE	
07	H000098	TEE CONNECTOR	
09	H000251	HYDRAULIC LINE	
10	H000139	TEE CONNECTOR, 10	
11	E600021	BAND CLIP	
12	H400062	PICKUP ACTUATOR	
13	0191655	BOLT, M16x55 8.8 PN 82101	
14	1421630	WASHER, 16	
15	0920516	SELF-RETAINING NUT, M16-5S PN 82175	
16	0191690	BOLT, M16x90 8.8 PN 82101	
17	1421630	WASHER, 16	
18	0920516	SELF-RETAINING NUT, M16-5S PN 82175	
19	0191680	BOLT, M16x80 8.8 PN 82101	
20	1421630	WASHER, 16	
21	0920516	SELF-RETAINING NUT, M16-5S PN 82175	
22	H400061	SEALING KIT	

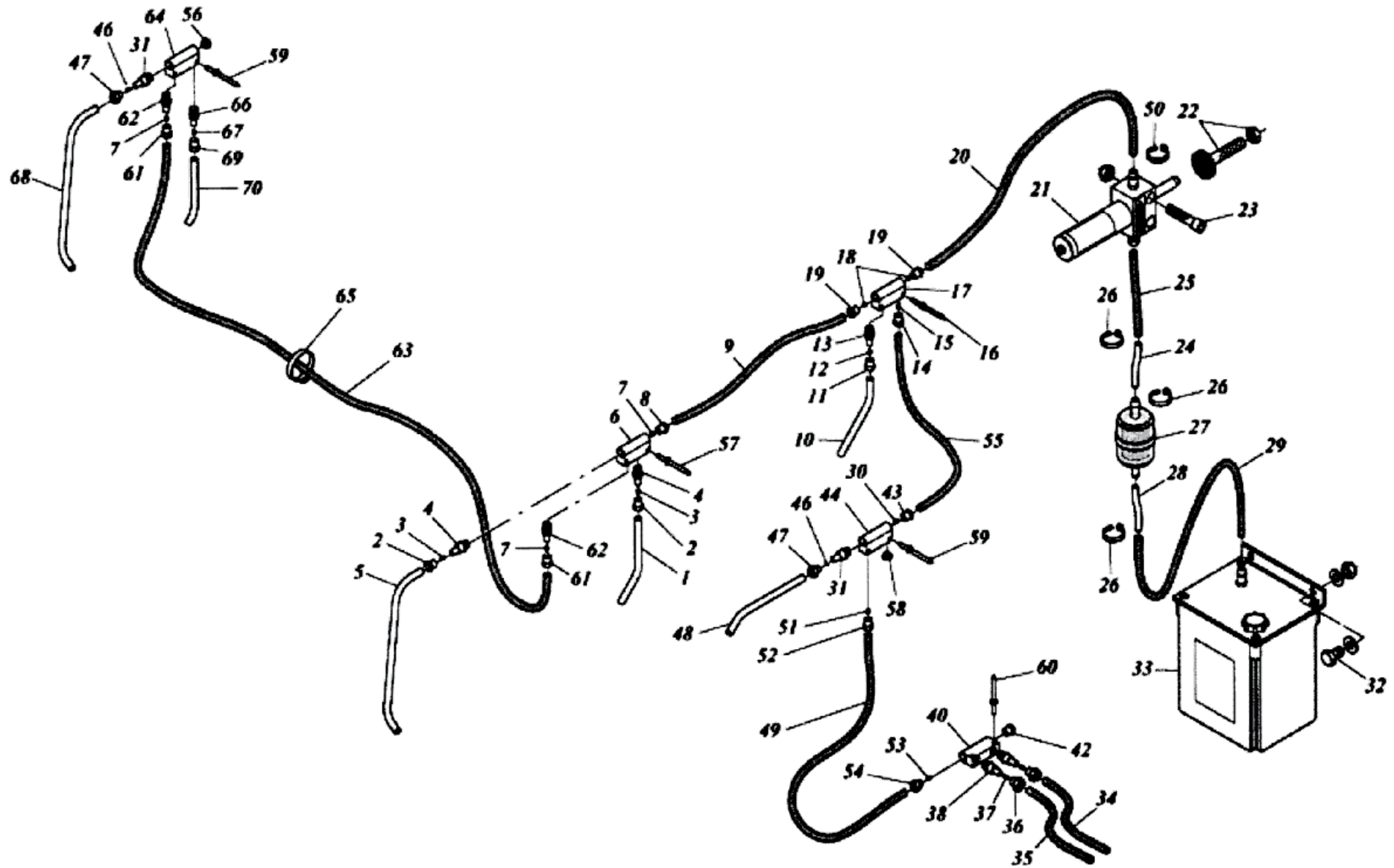


ITEM NO.	CODE	PART NAME	
01	H6000A0	EURO PLUG + CAP	
02	H733671	REDUCER COUPLING, 1MM, L/2'-L/4'	
03	1441415	WASHER, 1/4" (13x19x1.5)	
04	H000119	BALL VALVE, 1/4"	
05	1442015	WASHER, 1/2" (21x27x1.5)	
06	H000250	HYDRAULIC LINE	
07	H000264	TEE CONNECTOR	
09	H000251	HYDRAULIC LINE	
10	H000086	ELBOW CONNECTOR	
11	E600021	BAND CLIP	
12	H400072	PICKUP ACTUATOR	
13	0191660	BOLT, M16x60 8.8 PN 82101	
14	1421630	WASHER, 16	
15	0920516	SELF-RETAINING NUT, M16-5S PN 82175	
16	7S01072	ACTUATOR PIVOT	
17	1800062	RELIEF SPRING	
18	0191660	BOLT, M16x60 8.8 PN 82101	
19	1421630	WASHER, 16	
20	0920516	SELF-RETAINING NUT, M16-5S PN 82175	
21	H400061	SEALING KIT	



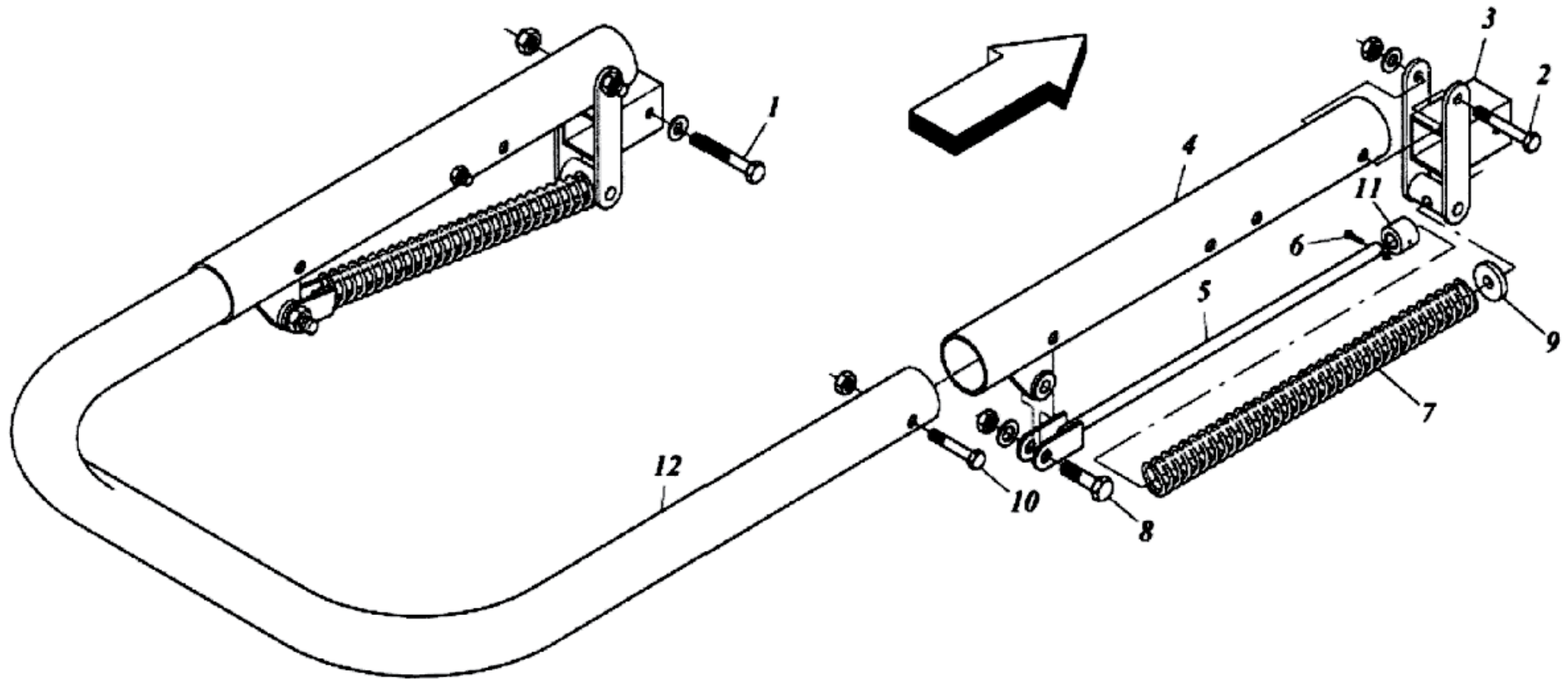
ITEM NO.	CODE	PART NAME	ITEM NO.	CODE	PART NAME
01	H000129	COPPER TUBE, 04 L=90	23	0920208	SELF-RETAINING NUT, M8-5S PN 82175
02	H600014	NUT, 04	23	0400850	BOLT, M8x50 8.8 UNI 5931
03	H600013	CLAMPING RING, 04	24	H000023	FILTER CONNECTION TUBE
04	HE00003	BATCH FEEDER, E	25	H000136	LINE, 06 L=180
05	H000130	COPPER TUBE, 04 L=150	26	E600026	TIE
06	H000102	DIRECTIONAL CONTROL VALVE, ART.01.040.0	27	H000022	FILTER
07	H600013	CLAMPING RING, 04	28	H000023	FILTER CONNECTION TUBE
08	H600013	NUT, 04	29	H000136	LINE, 06 L=180
09	H000132	LINE, 04 L=750	30	H600013	CLAMPING RING, 04
10	H000129	COPPER TUBE, 04 L=90	31	HE00003	BATCH FEEDER, E
11	H600014	NUT, 04	32	0180620	BOLT, M6x20 8.8 PN 82105
12	H600013	CLAMPING RING, 04	32	0920106	SELF-RETAINING NUT, M6-5S PN 82175
13	HE00003	BATCH FEEDER, E	32	1420615	WASHER, 6
14	H600016	NUT, 04	33	4800000	TANK
15	H600013	CLAMPING RING, 04	34	H000129	COPPER TUBE, 04 L=90
16	1000012	RIVET, 6x26	35	H000131	COPPER TUBE, 04 L=190
17	H000102	DIRECTIONAL CONTROL VALVE, ART.01.040.0	36	H600014	NUT, 04
18	H600013	CLAMPING RING, 04	37	H600013	CLAMPING RING, 04
19	H600016	NUT, 04	38	HE00003	BATCH FEEDER, E
20	H000135	LINE, 04 L=1500	40	H000102	DIRECTIONAL CONTROL VALVE, ART.01.040.0
21	H400007	PISTON PUMP	42	H600015	STOP PLUG
22	0533162	TAPPET	43	H600016	NUT, 04
22	0710412	NUT, M12-6S PN 82144	46	H600013	CLAMPING RING, 04

ITEM NO.	CODE	PART NAME	
47	H600014	NUT, 04	
48	H000128	COPPER TUBE, 04 L=120	
49	H000133	LINE, 04 L=420	
50	E600021	BAND CLIP	
51	H600013	CLAMPING RING, 04	
52	H600016	NUT, 04	
53	H600013	CLAMPING RING, 04	
54	H600016	NUT, 04	
55	H000134	LINE, 04 L=650	
56	H600015	STOP PLUG	
57	1000012	RIVET, 6x26	
58	H600015	STOP PLUG	
59	1000012	RIVET, 6x26	
60	1000012	RIVET, 6x26	

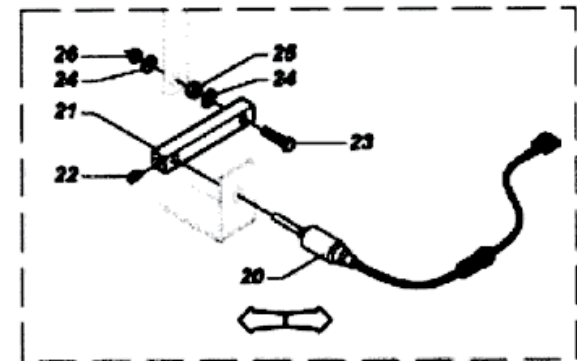
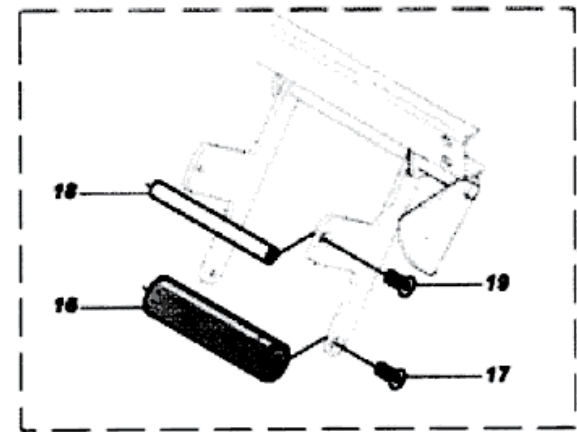
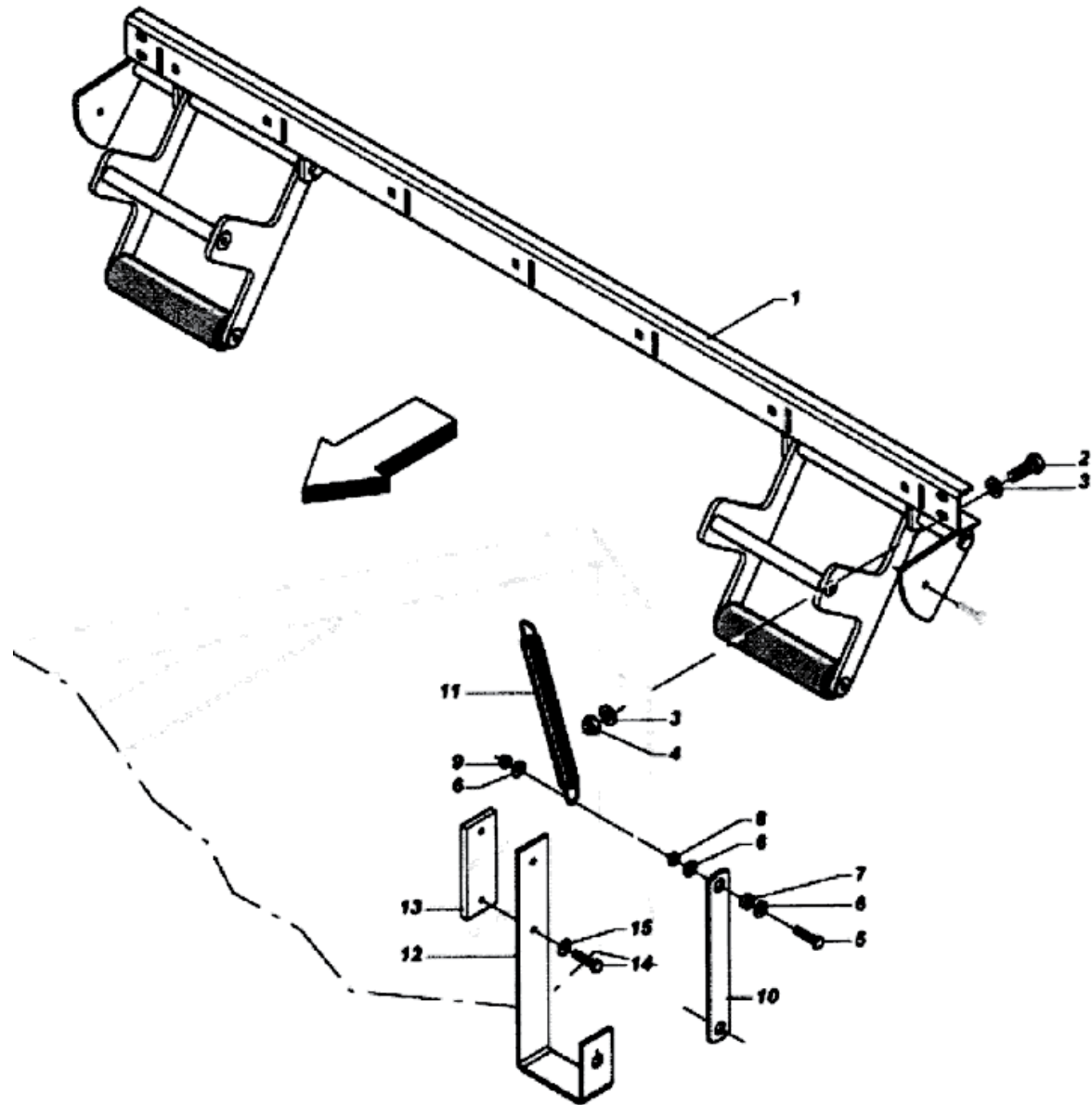


ITEM NO.	CODE	PART NAME	ITEM NO.	CODE	PART NAME
01	H000129	COPPER TUBE, 04 L=90	23	0400850	BOLT, M8x50 8.8 UNI 5931
02	H600014	NUT, 04	23	0920208	SELF-RETAINING NUT, M8-5S DIN 985
03	H600013	CLAMPING RING, 04	24	H000023	FILTER CONNECTION TUBE
04	HE00003	BATCH FEEDER, E	25	H000239	LINE, 06 L=500
05	H000130	COPPER TUBE, 04 L=150	20	E600026	BAND CLIP
06	H000102	DIRECTIONAL CONTROL VALVE, ART.01.040.0	27	H000022	FILTER
07	H600013	CLAMPING RING, 04	28	H000023	FILTER CONNECTION TUBE
08	H600013	CLAMPING RING, 04	29	H000136	LINE, 06 L=180
09	H000132	LINE, 04 L=750	30	H600013	CLAMPING RING, 04
10	H000129	COPPER TUBE, 04 L=90	31	HE00003	BATCH FEEDER, E
11	H600014	NUT, 04	32	1420615	WASHER, 6
12	H600013	CLAMPING RING, 04	32	0920106	SELF-RETAINING NUT, M6-5S PN 82175
13	HE00003	BATCH FEEDER, E	32	0180620	BOLT, M6x20 8.8 PN 82105
14	H600016	NUT, 04	33	4800000	TANK
15	H600013	CLAMPING RING, 04	34	H000129	COPPER TUBE, 04 L=90
16	1000012	RIVET, 6x26	35	H000131	COPPER TUBE, 04 L=190
17	H000102	DIRECTIONAL CONTROL VALVE, ART.01.040.0	36	H600014	NUT, 04
18	H600013	CLAMPING RING, 04	37	H600013	CLAMPING RING, 04
19	H600016	NUT, 04	38	HE00003	BATCH FEEDER, E
20	H000135	LINE, 04 L=1500	40	H000102	DIRECTIONAL CONTROL VALVE, ART.01.040.0
21	H400007	PUMP	42	H600015	STOP PLUG
22	0533162	TAPPET	43	H600016	NUT, 04
22	0710412	NUT, M12-6S PN 82144	44	H000102	DIRECTIONAL CONTROL VALVE, ART.01.040.0

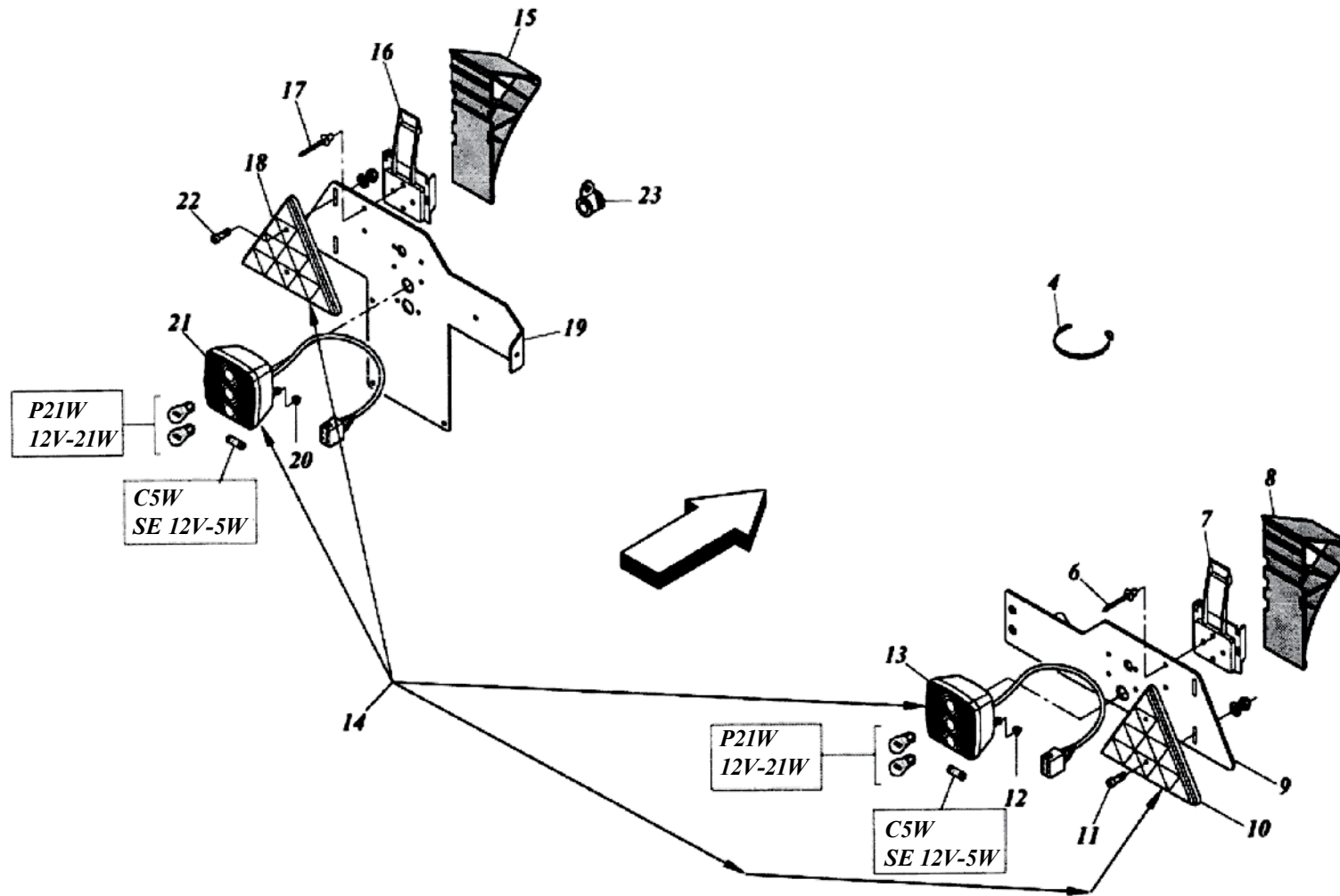
ITEM NO.	CODE	PART NAME	ITEM NO.	CODE	PART NAME
46	H600013	CLAMPING RING, 04	69	H600014	NUT, 04
47	H600014	NUT, 04	70	H000128	COPPER TUBE, 04 L=120
48	H00012S	COPPER TUBE, 04 L=120			
49	H000133	LINE, 04 L-420			
50	E600021	BAND CLIP			
51	H600013	CLAMPING RING, 04			
52	H600016	NUT, 04			
53	H600013	CLAMPING RING, 04			
54	H600016	NUT, 04			
55	H000240	LINE, 04 L=1200			
56	H600015	STOP PLUG			
57	1000012	RIVET, 6x26			
58	H600015	STOP PLUG			
59	1000012	RIVET, 6x20			
60	1000012	RIVET, 6x26			
61	H600016	NUT, 04			
62	H600013	CLAMPING RING, 04			
63	H000241	LINE, 04 L=2500			
64	H000102	DIRECTIONAL CONTROL VALVE, ART.01.040.0			
65	E600021	BAND CLIP			
66	HE00003	BATCH FEEDER, E			
67	H600013	CLAMPING RING, 04			
68	H000130	COPPER TUBE, 04 L=150			



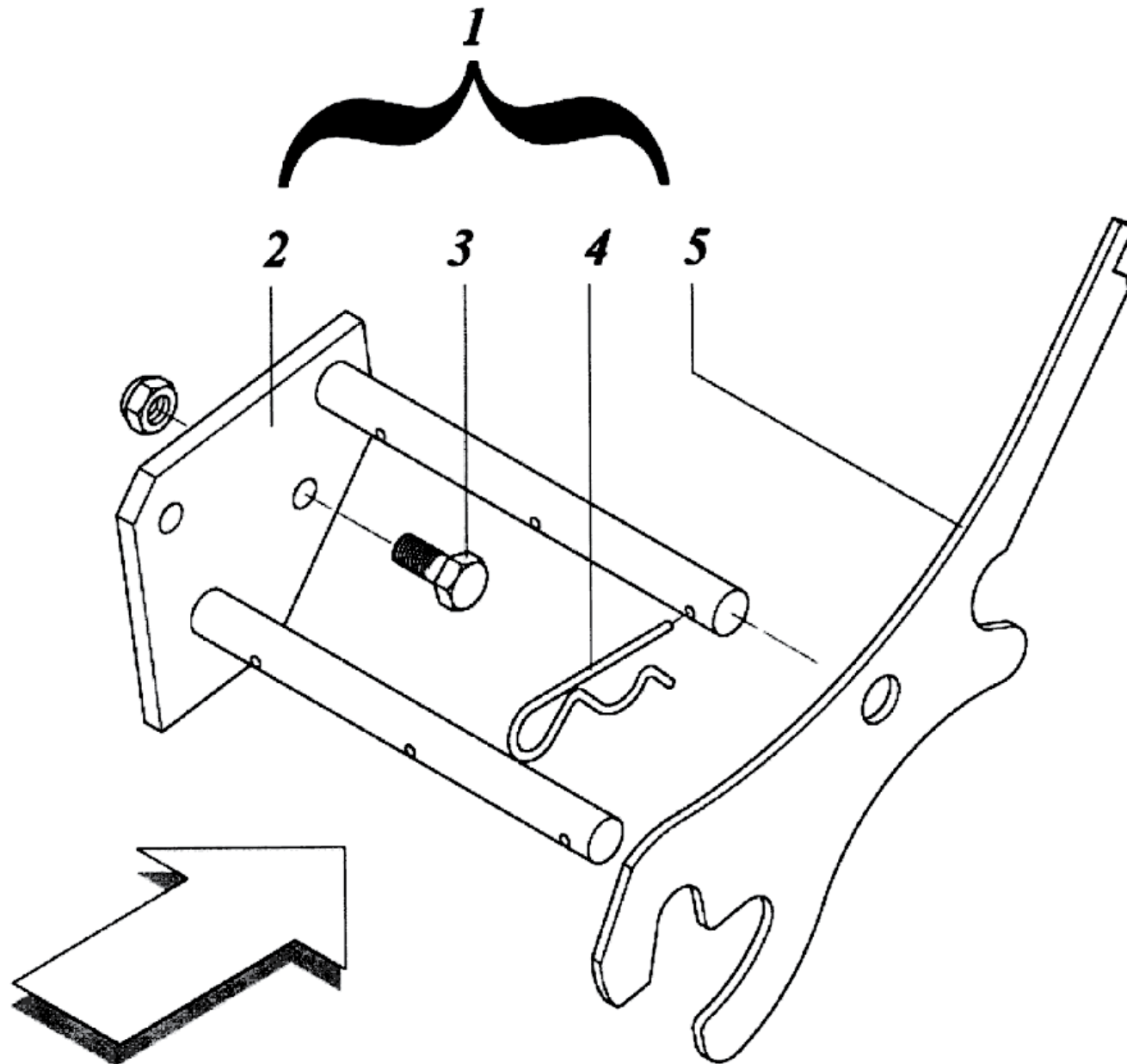
ITEM NO.	CODE	PART NAME	
01	0192095	BOLT, M20x140 8.8 PN 82101	
01	0920620	SELF-RETAINING NUT, M20-5S DIN 985	
01	1422035	WASHER, 20	
02	1422035	WASHER, 20	
02	0920620	SELF-RETAINING NUT, M20-5S PN 82175	
02	0192095	BOLT, M20x140 8.8 PN 82101	
03	7S00971	BRACKET	
04	7S00973	TUBE	
05	7S00972	ROD	
06	0920412	SELF-RETAINING NUT, M12-5S PN 82175	
06	0191260	BOLT, M12x60 8.8 PN 82101	
07	1800057	SPRING	
08	0192070	BOLT, M20x70 8.8 PN 82101	
08	0920620	SELF-RETAINING NUT, M20-5S PN 82175	
08	1422035	WASHER, 20	
09	1510630	WASHER, 28 45 3	
10	0191690	BOLT, M16x90 8.8 PN 82101	
10	0920516	SELF-RETAINING NUT, M16-5S PN 82175	
11	1300593	BUSH	
12	C003083	BAIL	



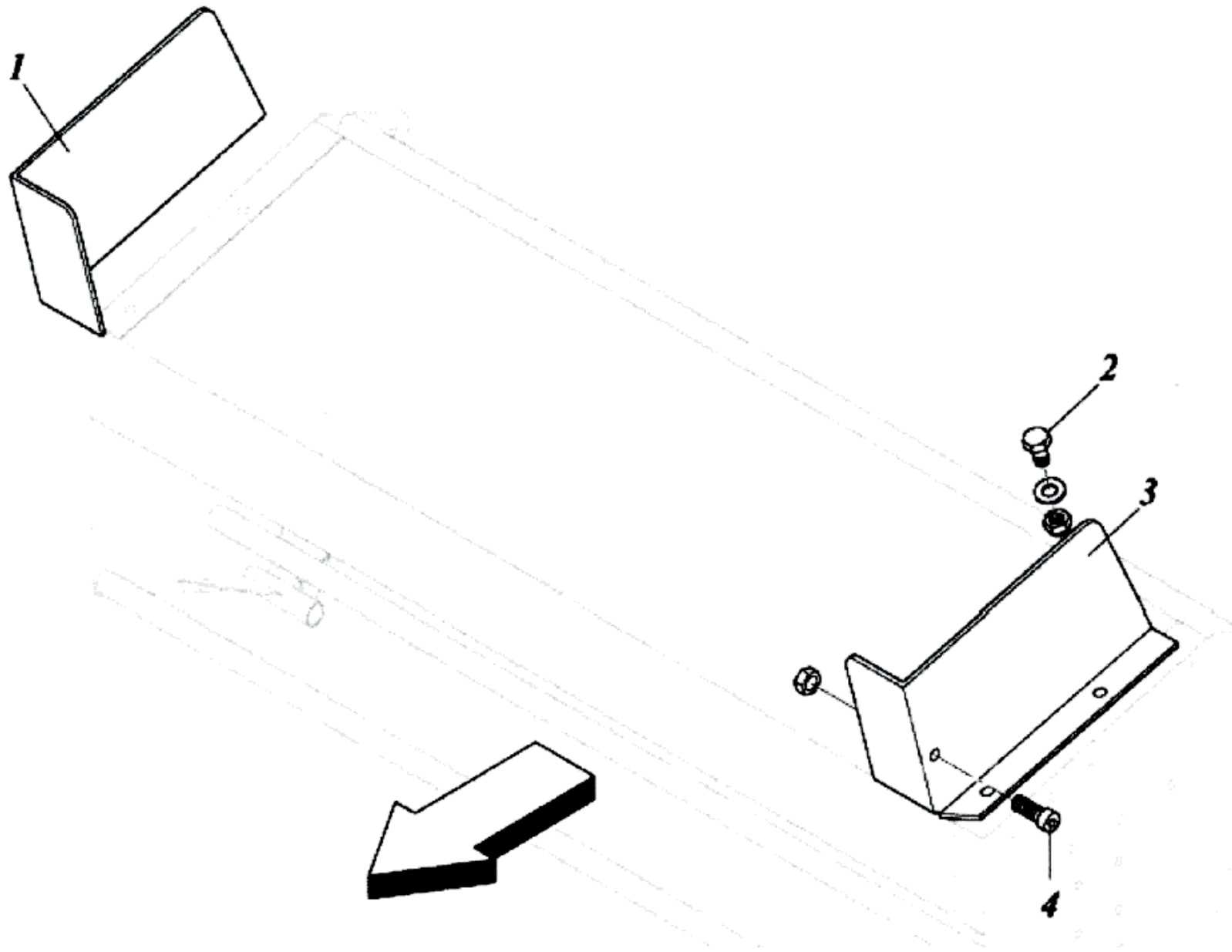
ITEM NO.	CODE	PART NAME	ITEM NO.	CODE	PART NAME
01	7S00951	FRAME	23	0180630	BOLT, M6x30 8.8 PN 82105
02	0181025	BOLT, M10x25 8.8 PN 82105	24	1430620	WASHER, 6x18
03	1421025	WASHER, 10	25	1300866	BUSH
04	0545790	SELF-RETAINING NUT, M10-5S PN 82175	26	0920106	SELF-RETAINING NUT, M6-5S PN 82175
05	0180640	BOLT, M6x40 8.8 PN 82105			
06	1430620	WASHER, 6x18			
07	1300866	BUSH			
08	0710106	NUT, M6-6S PN 82144			
09	0920106	SELF-RETAINING NUT, M 6-5S PN 82175			
10	C004227	FLAT BAR			
11	1810409	SPRING, D.2.5 D.P.14.5 L=210			
12	C004231	POTMETER BRACKET			
13	C004008	STOP PANEL			
14	0180516	BOLT, M5x16 8.8 PN 82105			
15	1430520	WASHER, 5x16			
16	7M00276	ROLLER, D48/12			
17	0440820	BOLT, M8x20 10.9 UNI 5933			
18	3500024	COUPLING			
19	0440820	BOLT, M8x20 10.9 UNI 5933			
20	E0P0029	SENSOR, RIGHT-HAND			
20	E0P0028	SENSOR, LEFT-HAND			
21	C004228	TALERZ			
22	0430610	BOLT, M6x10 12.9			



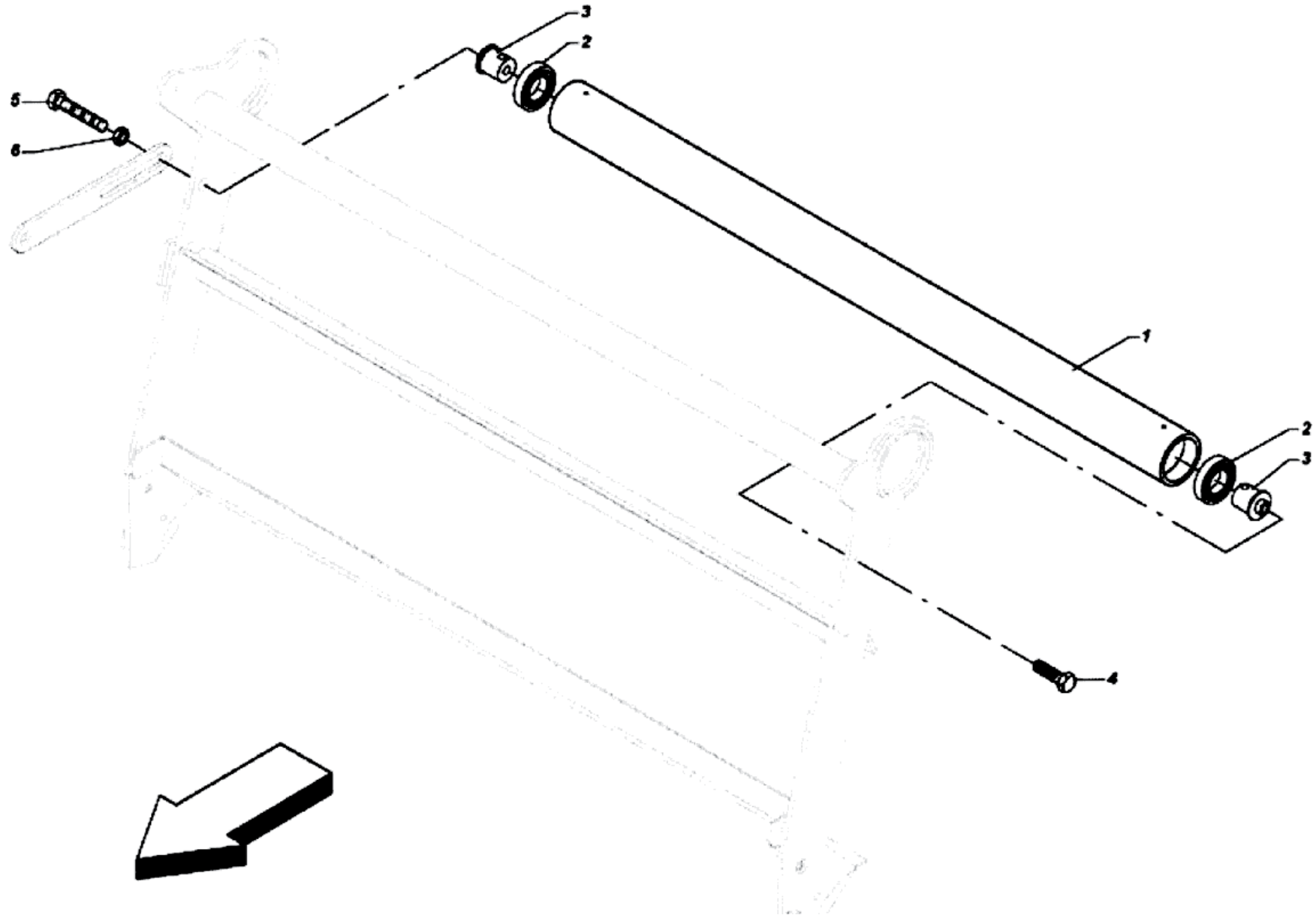
ITEM NO.	CODE	PART NAME	
04	E600021	BAND CLIP	
06	1000011	RIVET, 6x15	
07	7V00071	CHOCK HANDLE	
08	7V00070	CHOCK	
09	C000082	LAMP BRACKET, RIGHT-HAND	
10	E000025	REFLECTIVE TRIANGLE	
11	0181015	BOLT, M10x15 8.8 PN 82105	
11	0545790	SELF-RETAINING NUT, M10-5S PN 82175	
11	1421025	WASHER, 10	
12	0920005	SELF-RETAINING NUT, M5-5S PN 82175	
13	E000007	TAIL LAMP	
14	E731597	TAIL LAMP ASSEMBLY	
15	7V00070	CHOCK	
16	7V00071	CHOCK HANDLE	
17	1000011	RIVET, 6x15	
18	E000025	REFLECTIVE TRIANGLE	
19	C000081	LAMP BRACKET, LEFT-HAND	
20	0920005	SELF-RETAINING NUT, M5-5S PN 82175	
21	E000006	TAIL LAMP, LEFT-HAND	
22	0181025	BOLT, M10x25 8.8 PN 82105	
22	0545790	SELF-RETAINING NUT, M10-5S PN 82175	
22	1421025	WASHER, 10	
23	E600016	RUBBER HOLDER, ART.21.032.000	



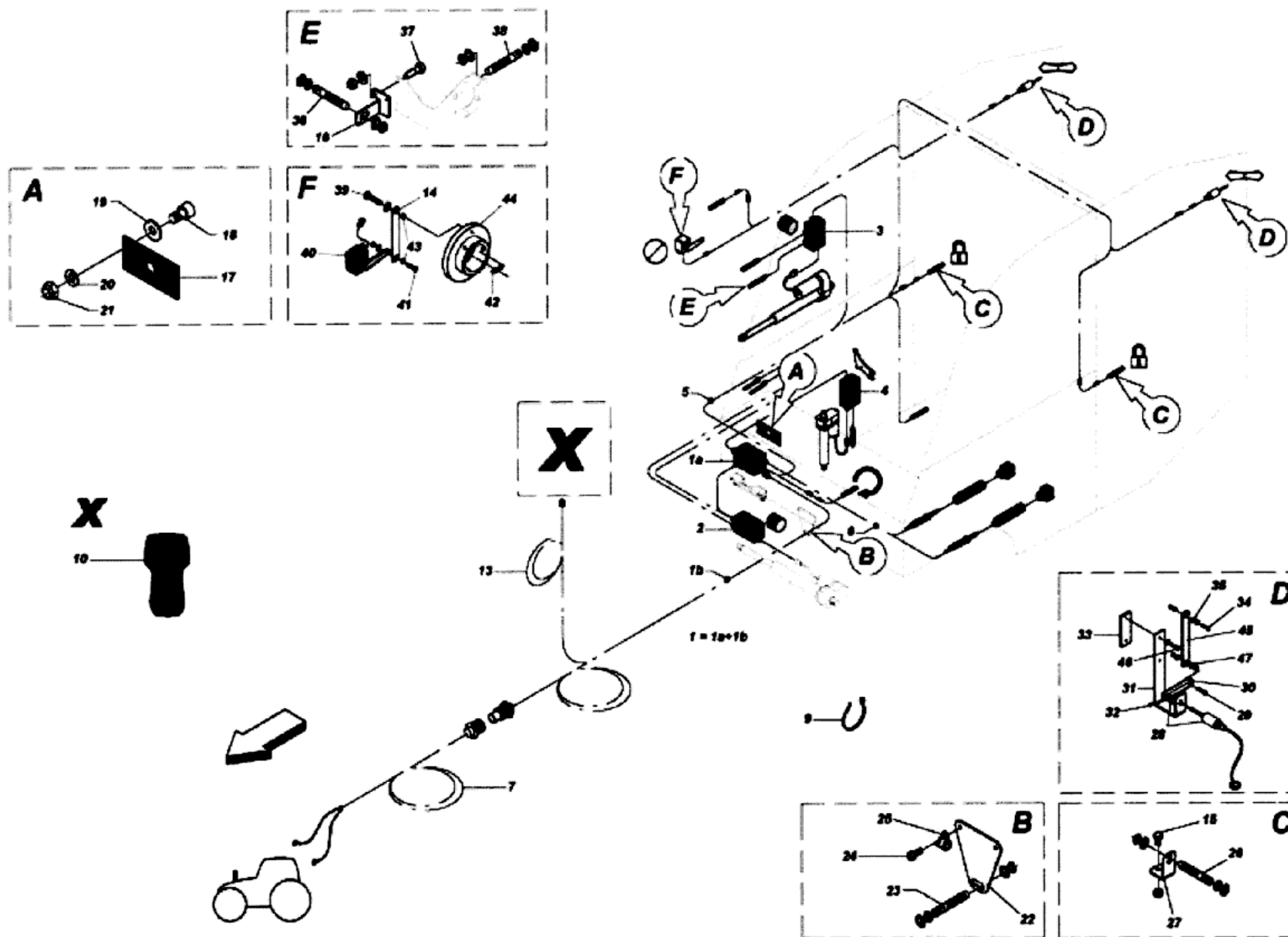
ITEM NO.	CODE	PART NAME	
01	ZK1P0111	SET OF BLADES	
02	7S01031	HANDLE	
03	0181230	BOLT, M12x30 8.8 PN 82105	
04	1170484	SPRING COTTER PIN, 4	
05	C005006	BLADE	



ITEM NO.	CODE	PART NAME	
01	C003524	SHEET PANEL, RIGHT-HAND	
02	0181025	BOLT, M10x25 8.8 PN 82105	
02	0545790	SELF-RETAINING NUT, M10-5S PN 82175	
02	1421025	WASHER, 10	
03	C003523	SHEET PANEL, LEFT-HAND	
04	0181025	BOLT, M10x25 8.8 PN 82105	
04	0545790	SELF-RETAINING NUT, M10-5S PN 82175	

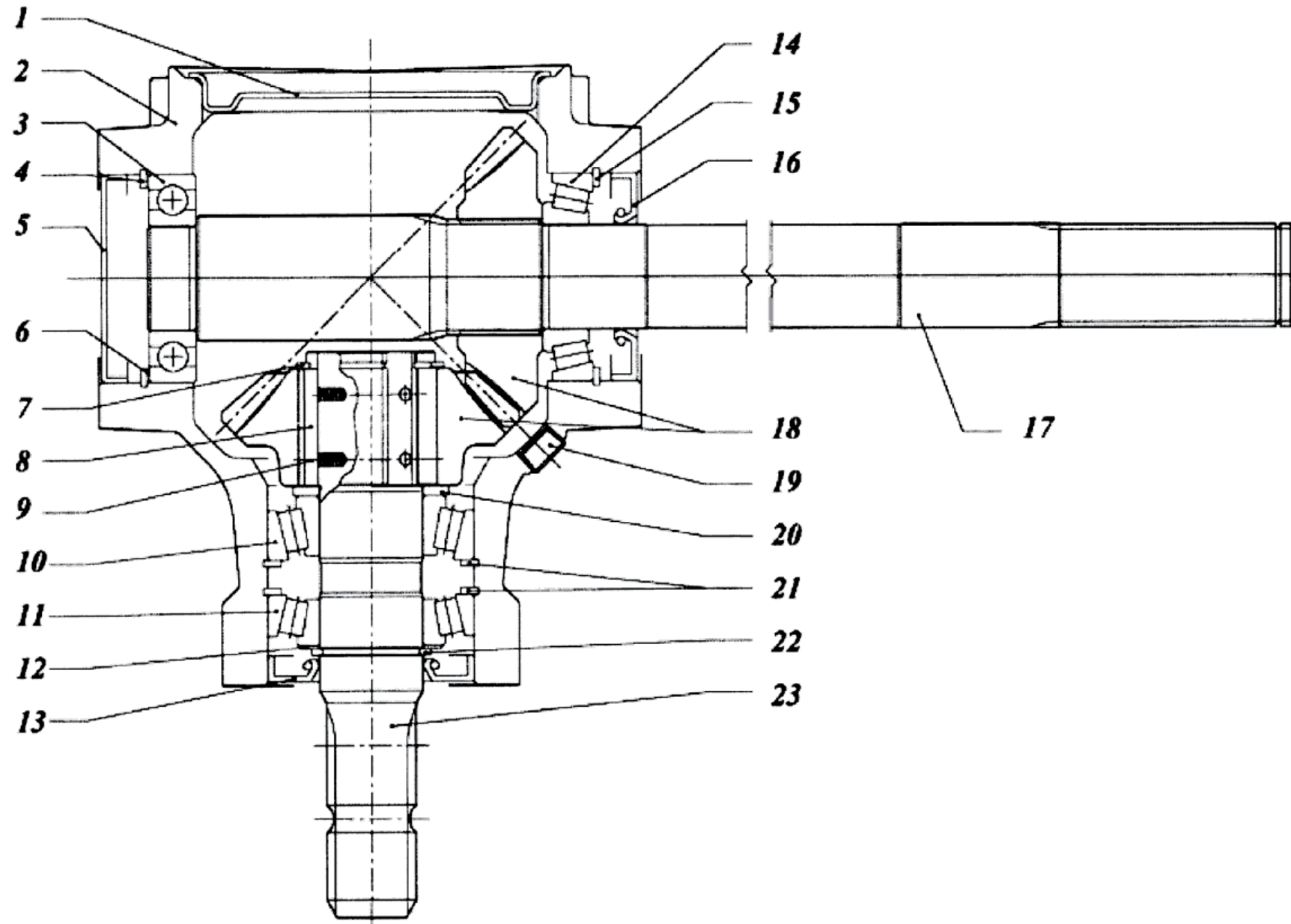


ITEM NO.	CODE	PART NAME	
01	3500048	ROLLER	
02	2040002	BEARING, 6307-2RS	
03	3500047	PIN	
04	0181235	BOLT, M12x35 8.8 PN 82105	
05	0181290	BOLT, M12x90 8.8 PN 82105	
06	0710412	NUT, M12-6S PN 82144	

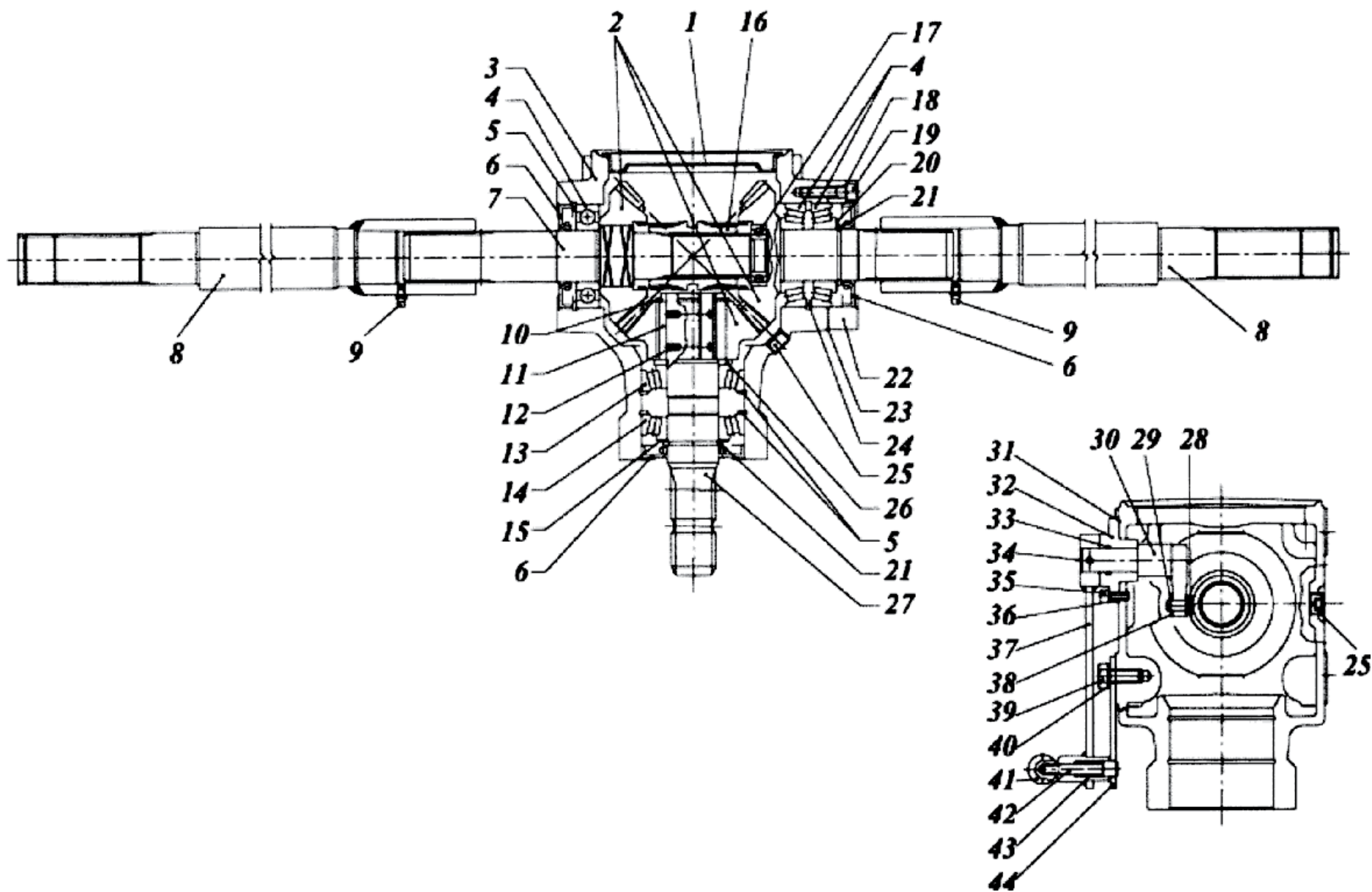


ITEM NO.	CODE	PART NAME	ITEM NO.	CODE	PART NAME
01	E0P0002	POWER BOX MODULE	25	E000060	RUBBER GUARD
02	E0P0003	CORD MODULE	26	E0P0013	SENSOR, M12 "LT"
03	E0P0004	NET MODULE	27	C004245	BRACKET
04	E0P0005	CUTTING MODULE	28	E0P0013	SENSOR, M12 "LT"
05	E0P0072	CABLE	29	0180630	BOLT, M6x30 8.8 PN 82105
06	E0P0009	WIRE HARNESS	29	0920106	SELF-RETAINING NUT, M6-5S PN 82175
07	E0P0010	TRACTOR CABLE	29	1430620	WASHER, 6x18
09	E600021	TIE, 3.6x180	30	C004228	ARM
10	E0P0011	EASY TRONIC PANEL	31	C004231	BRACKET
13	E0P0005	PANEL CABLE	32	0430610	BOLT, M6x10 12.9
14	7MP0014	ADJUSTMENT SCREW	33	C004008	PLATE
15	0181020	BOLT, M10x20 8.8 PN 82105	34	0710106	NUT, M6-6S PN 82144
15	0545790	SELF-RETAINING NUT, M10-5S PN 82175	34	0920106	SELF-RETAINING NUT, M6-5S PN 82175
17	7V00112	RUBBER GUARD	34	1430620	WASHER, 6x18
18	0400420	BOLT, M4x20 8.8 UNI 5931	34	0180640	BOLT, M6x40 8.8 PN 82105
19	1420408	WASHER, 4	35	1300866	BUSH
20	1430520	WASHER, 5x16	36	E000056	PROXIMITY SENSOR, M12
21	0920A04	SELF-RETAINING NUT, M4-5S PN 82175	37	0920005	SELF-RETAINING NUT, M5-5S PN 82175
22	C004246	PTO SENSOR SUPPORT	37	1430520	WASHER, 5x16
23	E0P0013	SENSOR, M12 "LT"	37	0180516	BOLT, M5x16 8.8 PN 82105
24	0920106	SELF-RETAINING NUT, M6-5S PN 82175	38	E000056	PROXIMITY SENSOR, M12
24	1420615	WASHER, 6	39	0180615	BOLT, M6x15 8.8 PN 82105
24	0180625	BOLT, M6x25 8.8 PN 82105	39	1430620	WASHER, 6x18

ITEM NO.	CODE	PART NAME	
40	E0P0073	DIAMETER SENSOR	
41	0920106	SELF-RETAINING NUT, M6-5S PN 82175	
41	1430620	WASHER, 6x18	
41	0180660	BOLT, M6x60 8.8 PN 82105	
42	0420820	BOLT, M8x20 12.9 UNI 5927	
42	0920208	SELF-RETAINING NUT, M8-5S PN 82175	
43	1300866	BUSH	
44	1300871	RING	
45	C004227	ARM	
46	1430520	WASHER, 5x16	
46	0180516	BOLT, M5x16 8.8 PN 82105	
47	1300866	BUSH	



ITEM NO.	CODE	PART NAME	ITEM NO.	CODE	PART NAME
01	R000255	BODY COVER, D=130	18	R000308	BEVEL GEARS, R=1:1
02	R000305	BODY, 2050	19	R000175	STOP PLUG, 3/8" GAS-C DIN 906
03	2004018	BEARING, 6208	20	R000285	BUSH
04	R000256	SEGER RING, W80	21	R000256	SEGER RING, W80
05	R000090	COVER, 80x10	22	R000257	SEGER RING, Z40
06	R000265	WASHER, 69.3x79.7x0.1	23	R000306	INPUT AXLE SHAFT, Z+R.L. 295039975
06	R000264	WASHER, 69.3x79.7x0.4			
06	R000263	WASHER, 69.3x79.7x0.3			
06	R000262	WASHER, 69.3x79.7x0.2			
07	R000298	SEGER RING, Z50			
08	R000307	BUSH			
09	R000089	SPRING, 351011370			
10	2124024	BEARING, 32208			
11	2124019	BEARING, 30208			
12	R000261	WASHER, 40.2x54.8x0.1			
12	R000260	WASHER, 40.2x54.8x0.4			
12	R000259	WASHER, 40.2x54.8x0.3			
12	R000258	WASHER, 40.2x54.8x0.2			
13	4303460	SEALING RING, 40x80x10			
14	2124019	BEARING, 30208			
15	R000256	SEGER RING, W80			
16	4303460	SEALING RING, 40x80x10			
17	R000254	AXLE SHAFT, XY 2050 295405014			



ITEM NO.	CODE	PART NAME	ITEM NO.	CODE	PART NAME
01	R000288	COVER, D=145 298614500	20	R000260	WASHER, 40.2x54.8x0.4
02	R000303	BEVEL GEARS, R=1:1	20	R000259	WASHER, 40.2x54.8x0.3
03	R000277	BODY, 2070	20	R000258	WASHER, 40.2x54.8x0.2
04	2124019	BEARING, 30208	21	R000257	SEGER RING, Z40
05	R000256	SEGER RING, W80	22	R000286	BUSH
06	4303460	SEALING RING, 40x80x10	23	R000287	GASKET, 80x115x0.3
07	R000279	AXLE SHAFT, XV 295404121	24	R000299	SEGER RING, W80
08	R000304	AXLE SHAFT, L=602	25	R000175	STOP PLUG, 3/8"
09	4200610	GREASE NIPPLE, M6x1	26	R000285	BUSH
10	R000298	SEGER RING, Z50	27	R000278	INPUT AXLE SHAFT, Z+R.L. 295039976
11	R000289	BUSH, RL	28	R000290	BLOCK, 298700816
12	R000089	SPRING, 351011370	29	R000297	SEGER RING, Z8
13	2124024	BEARING, 32208	30	R000282	LEVER
14	2004018	BEARING, 6208	31	R000284	GASKET, 35x65x0.2
15	R000258	WASHER, 40.2x54.8x0.2	32	R000283	LEVER CONSOLE
15	R000259	WASHER, 40.2x54.8x0.3	33	R000300	O-RING, OR 123
15	R000260	WASHER, 40.2x54.8x0.4	34	1110540	RAWLPLUG, 5x40 DIN 1481
15	R000261	WASHER, 40.2x54.8x0.1	35	R000292	BOLT, M6x16 12.9
16	R000276	BUSH	36	R000295	GASKET, D=6
17	2003013	BEARING, 6006	37	R000280	LEVER ARM
18	R000296	GASKET	38	R000293	WASHER, 8 UNI 6592
19	0400830	BOLT, M8x30 8.8 UNI 5931	39	0181225	BOLT, M12x25 8.8 PN 82105
20	R000261	WASHER, 40.2x54.8x0.1	40	R000294	WASHER, 12 DIN 128B

ITEM NO.	CODE	PART NAME	
41	R000302	HANDLE	
42	R000291	PIN, 298701200	
43	R000301	SPRING, DM 9.8x1.2x25 368010000	
44	R000281	SHEET PANEL	